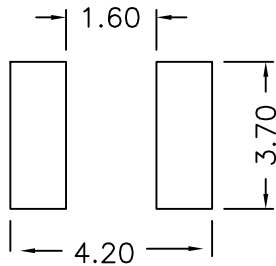
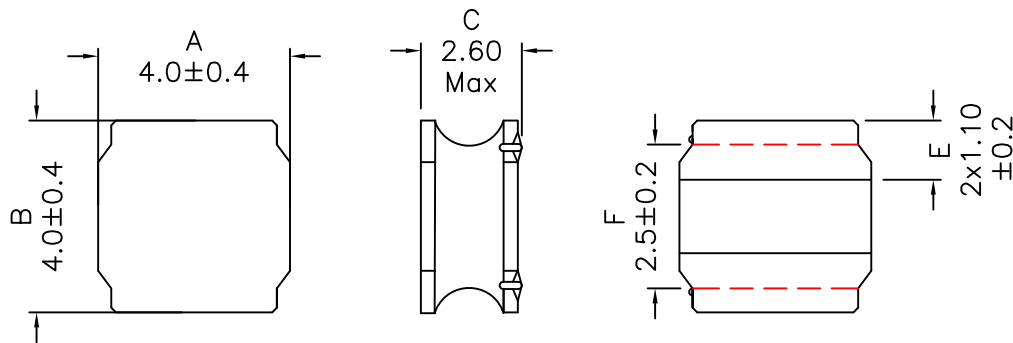
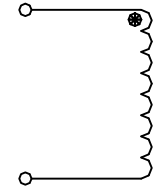


1. Mechanical Dimensions:



Recommended Land Patterns

2. Schematic:



3. Electrical Specification:

OCL: $100 \mu\text{H} \pm 20\%$ @100KHz 0.25V

Q: tbd Min @100KHz 0.25V

Isat: 0.30A (Based on 30% Typ Drop in OCL)

Irms: 0.30A (Based on 40°C Temp Rise)

DCR: 1.20 Ohms Max

Notes:

1. Solderability: Leads shall meet MIL-STD-202G, Method 208H for solderability.
2. Flammability: UL94V-0
3. ASTM oxygen index: > 28%
4. Insulation System: Class F 155°C. UL file E151556
5. Operating Temperature Range: All listed parameters are to be within tolerance from -40°C to +125°C
6. Storage Temperature Range: -55°C to +125°C
7. Aqueous wash compatible
8. SMD Lead Coplanarity: $\pm 0.004"$ (0.102mm)
9. Electrical and mechanical specifications 100% tested
10. RoHS Compliant Component

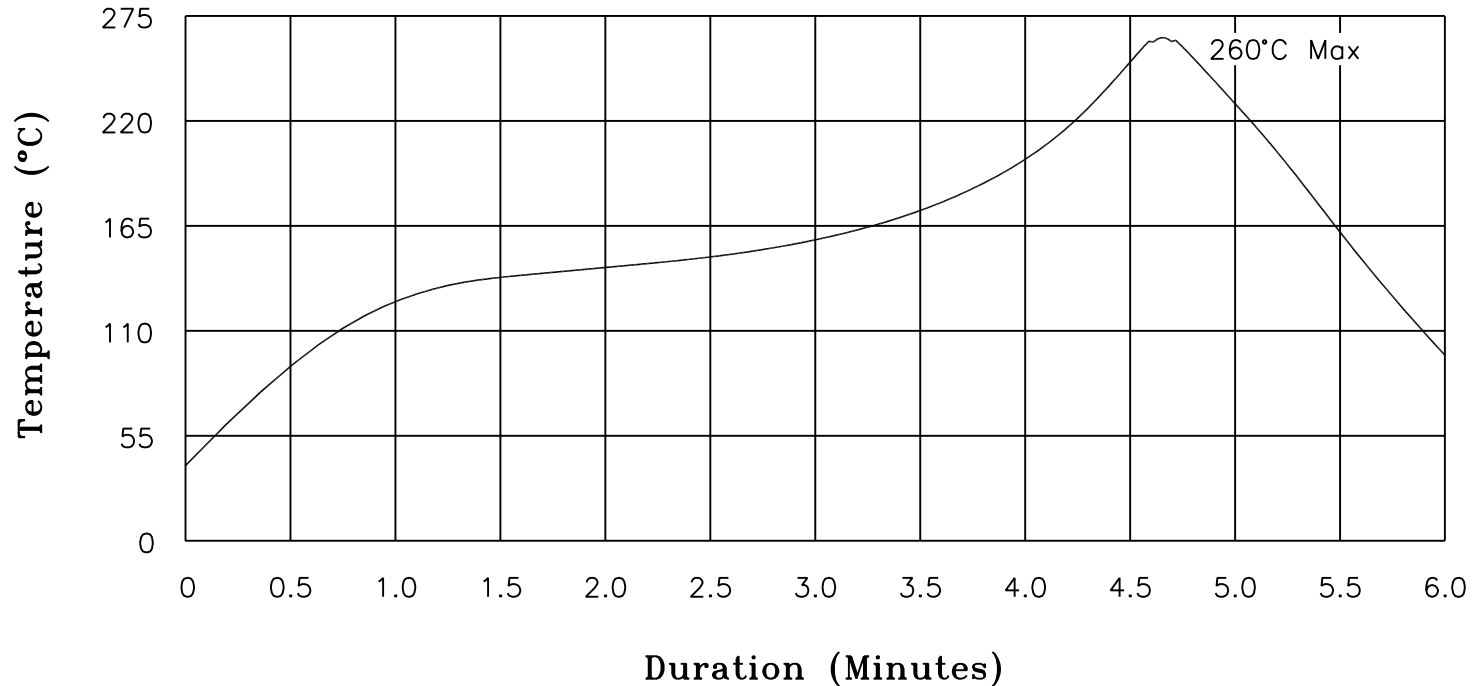
PRELIMINARY

DOC REV: A/-

XFMRs Inc. www.XFMRS.com	Title: HIGH CURRENT SELF-LEADED SMT INDUCTORS		
UNLESS OTHERWISE SPECIFIED TOLERANCES: .xx ± 0.25 Dimensions in MM	P/N: XF404026-101M		REV. A
	DWN.	Xianyi	Jan-25-17
	CHK.	YK Liao	Jan-25-17
SHEET 1 OF 1	APP.	GL	Jan-25-17

XFMRs

Recommended Infrared Reflow Temperature Profile for RoHS Compliant Parts

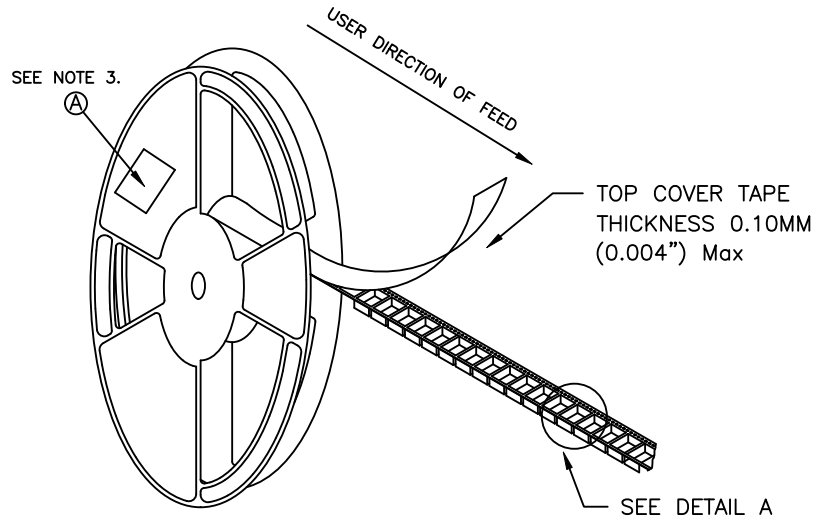


NOTES: Maximum duration at 260°+0/-5° with 10 seconds Max.
 Maximum duration above 217° shall be 60-150 seconds.
 ALL Temperatures refer to topside of the package, measured on the package body surface.

XFMRs Inc www.XFMRs.com	Title: IR REFLOW CHART (RoHS Compliant parts)		
	UNLESS OTHERWISE SPECIFIED TOLERANCES: N/A	P/N: N/A	REV. A
	DWN.	Juan Mao	Jan-16-05
	CHK.	YK Liao	Jan-16-05
SHEET 1 OF 1	APP.	MS	Jan-16-05

PROPRIETARY Document is the property of XFMRs Group & is not allowed to be duplicated without authorization.

TAPE AND REEL SPECIFICATION:



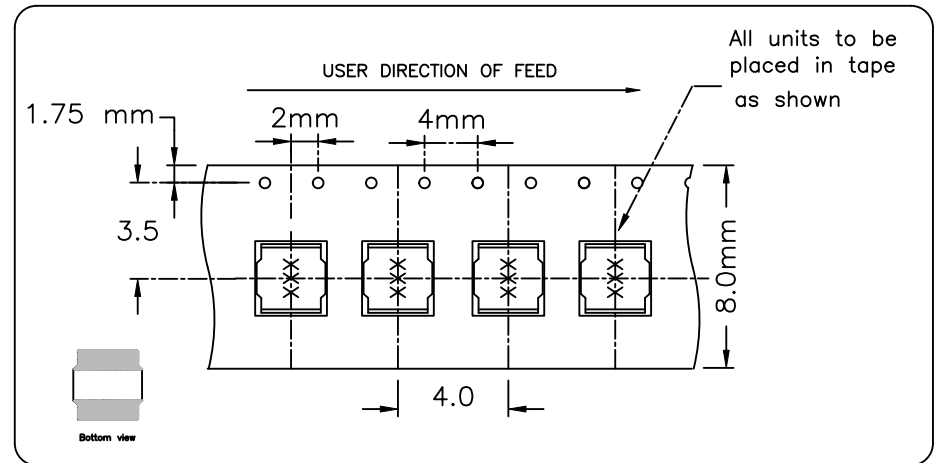
REEL AND TAPE ORIENTATION

7" REEL DIAMETER

NOTES:

- 1) PROCESS IN ACCORDANCE WITH EIA-481-2 STANDARDS
 - * TAPE LEADER DIMENSION 15.30" MIN.
 - * TAPE TRAILER DIMENSION 6.30" MIN.
- 2) PARTS SHOULD BE PACKAGED IN ACCORDANCE WITH ESD GUIDELINES IN EIA-541.
- 3) REEL LABEL: 'A' * PART NUMBER
 - * QUANTITY
 - * DATE CODE
- 4) 3000PCS PER 7" REEL

DETAIL A



DOC. REV. A/1

XFMRs Inc www.XFMRs.com UNLESS OTHERWISE SPECIFIED TOLERANCES: .xxs ±xxxxx Dimensions in mm SHT 1 OF 1	Title: T&R SPEC		
	P/N: XF404026 Series		REV. A
	DWN.	Kong	Jul-18-20
	CHK.	YK Liao	Jul-18-20
	APP.	DDC	Jul-18-20

PROPRIETARY Document is the property of XFMRs Group & is not allowed to be duplicated without authorization.