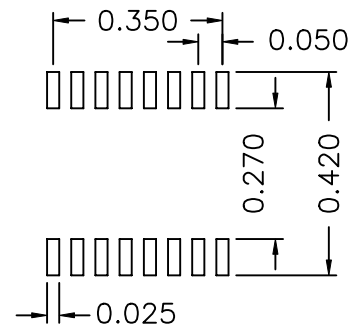
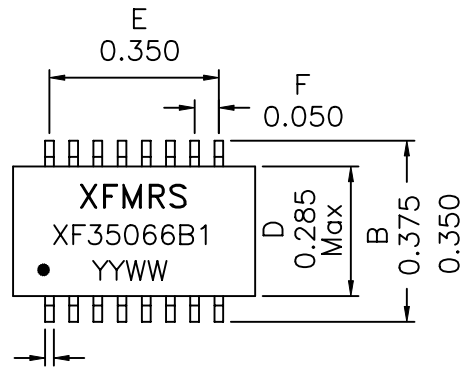
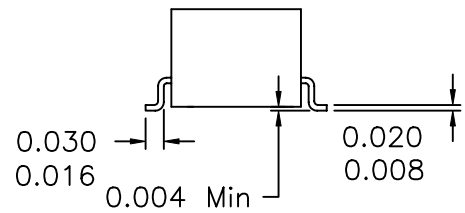
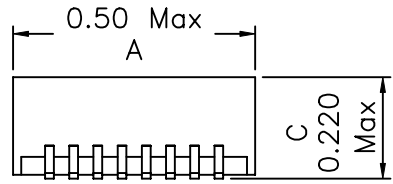


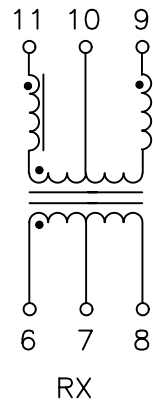
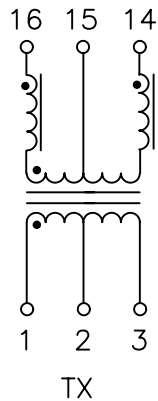
## 1. Mechanical Dimensions:



0.018±0.002

SUGGESTED FOOTPRINT

## 2. Schematic:



DOC REV: B/3

## 3. Electrical Specifications:@25°C

Isolation Voltage: 1500Vac

Turns Ratio: Pins (1-2-3):(16-15-14)=1CT:1CT±3%

Turns Ratio: Pins (6-7-8):(11-10-9)=1CT:1CT±3%

OCL: Pins 1-3, 6-8 350uH Min @100KHz 0.1V, 8mAdc

Cw/w: 15pF Typical @100KHz 0.1V (Pri/Sec)

LL: Pins 1-3 0.4uH Max @100KHz 0.1V, Short Pins 16-14

LL: Pins 6-8 0.4uH Max @100KHz 0.1V, Short Pins 11-9

DC Resistance: Pins 11-9, 16-14 1.10 Ohms Max

DC Resistance: Pins 1-3, 6-8 0.60 Ohms Max

RISE TIME (10%-90%): 2.5nS TYPICAL

INSERTION LOSS: -1.1dB Max @100KHz-100MHz

RETURN LOSS: -18dB TYPICAL @500KHz-30MHz

RETURN LOSS: -15.5dB TYPICAL @40MHz

RETURN LOSS: -13.6dB TYPICAL @50MHz

RETURN LOSS: -12dB TYPICAL @60MHz-80MHz

CROSSTALK: -40dB TYPICAL @100KHz-100MHz

### Notes:

1. Solderability: Leads shall meet MIL-STD-202, Method 208D for solderability.
2. Flammability: UL94V-0
3. ASTM oxygen index: > 28%
4. Operating Temperature Range: -40°C to +85°C

<b>XFMRS Inc</b>	Title: 10 BASE T ISOLATION MAGNETICS		
	UNLESS OTHERWISE SPECIFIED TOLERANCES: .xxx ±0.010 Dimensions in Inch	P/N: XF35066B1	REV. B
	DWN.	罗振江	Dec-11-03
	CHK.	廖玉坤	Dec-11-03
SHEET 1 OF 1	APP.	BW	Dec-11-03