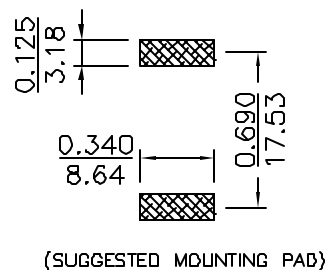
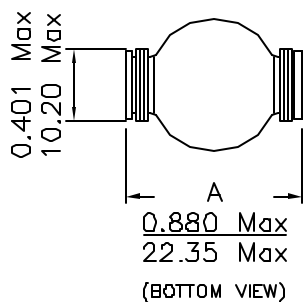
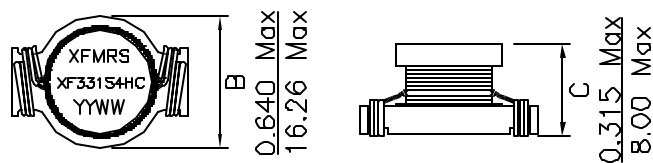


1. Mechanical Dimensions:



Notes:

1. Solderability: Leads shall meet MIL-STD-202G, Method 208H for solderability.
 2. Flammability: UL94V-0
 3. ASTM oxygen index: > 28%
 4. Insulation System: Class F 155°C. UL file E151556
 5. Operating Temperature Range: All listed parameters are to be within tolerance from -40°C to +85°C
 6. Storage Temperature Range: -55°C to +125°C
 7. Aqueous wash compatible
 8. SMD Lead Coplanarity: $\pm 0.004^*$ (0.102mm)
 9. Moisture Sensitivity: Level 3
 10. Electrical and mechanical specifications 100% tested
 11. RoHS Compliant Component
- DOC. REV. A/1

2. Schematic:



3. Electrical Specifications: @25°C

OCL: $330\mu\text{H} \pm 10\%$ @1MHz 0.1V

Q: 20 Typ @1MHz

Irms: 1.0A Max (40°C TEMP RISE)

Isat: 1.9Adc Typ (Based on 10% Drop in OCL)

DCR: 0.560 Ohms Typ

SRF: 5.1MHz Min

PROPRIETARY

Document is the property of XFMRs Group & is not allowed to be duplicated without authorization.

XFMRs Inc. www.XFMRs.com		Title: XFMSMD4HC SERIES INDUCTORS	
UNLESS OTHERWISE SPECIFIED TOLERANCES: .xxx ± 0.010 INCH Dimensions in INCH/MM	P/N: XF331S4HC	REV. A	
	DWN.	李小锋	Oct-17-05
	CHK.	康玉坤	Oct-17-05
SHEET 1 OF 1	APP.	MS	Oct-17-05