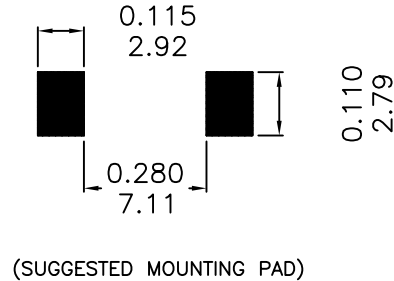
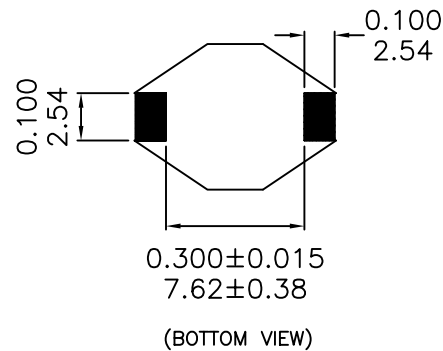
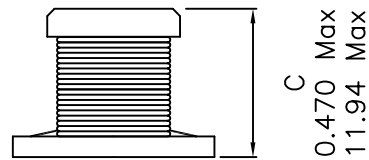
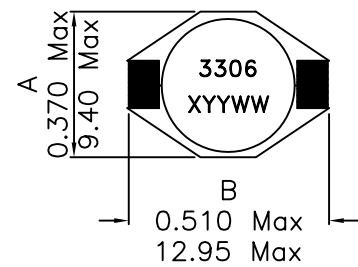
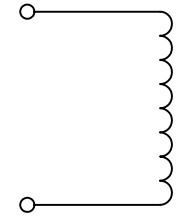


1. Mechanical Dimensions:



2. Schematic:



3. Electrical Specifications: @25°C

OCL: 330uH±20% @10KHz 0.1V

Q: 6 Min @10KHz 0.1V

DCR: 0.700 Ohms Max

Isat: 1.2Adc

Notes:

1. Solderability: Leads shall meet MIL-STD-202G, Method 208H for solderability.
2. Flammability: UL94V-0
3. ASTM oxygen index: > 28%
4. Insulation System: Class F 155°C. UL file E151556
5. Operating Temperature Range: All listed parameters are to be within tolerance from -40°C to +85°C
6. Storage Temperature Range: -55°C to +125°C
7. Aqueous wash compatible
8. SMD Lead Coplanarity: ±0.004"(0.102mm)
9. Electrical and mechanical specifications 100% tested
10. RoHS Compliant Component

DOC REV: B/5

XFMRs Inc www.XFMRs.com	Title: XF3306S2 SERIES INDUCTORS		
	UNLESS OTHERWISE SPECIFIED TOLERANCES: .xxx ±0.010 INCH Dimensions in INCH/MM		P/N: XF3306S2
SHEET 1 OF 1	DWN.	Mei Chen	Apr-06-11
	CHK.	YK Liao	Apr-06-11
	APP.	BW	Apr-06-11

PROPRIETARY

Document is the property of XFMRs Group & is not allowed to be duplicated without authorization.