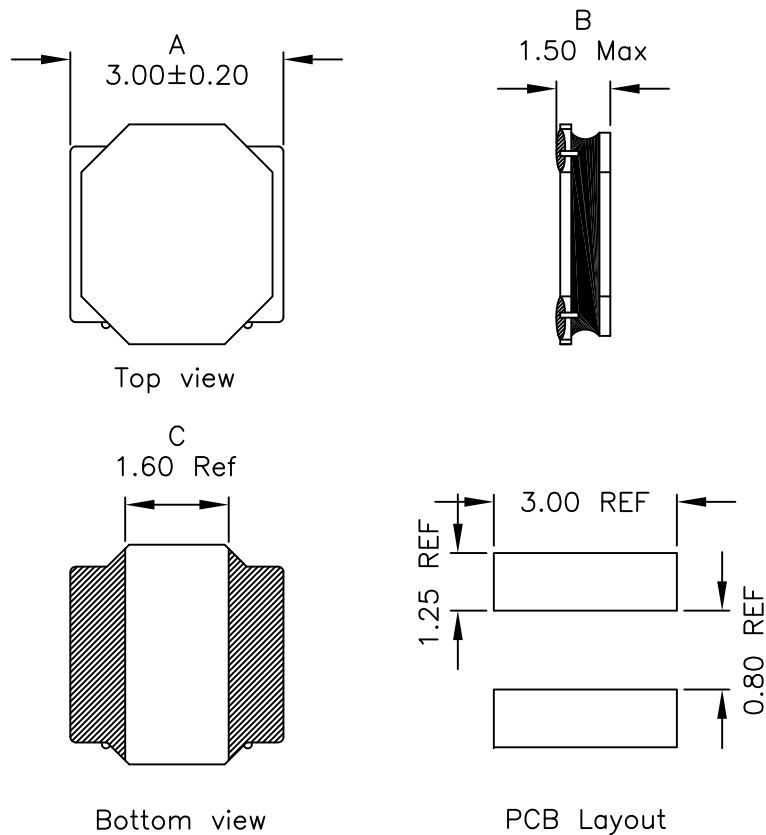
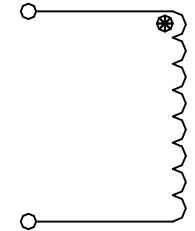


## 1. Mechanical Dimensions:



## 2. Schematic:



## 3. Electrical Specifications: @25°C

OCL:  $10\mu\text{H} \pm 20\%$  @100KHz 0.25V

Q: 8 Min @100KHz 0.25V

I<sub>sat</sub>: 700mA<sub>dc</sub> (Based on 30% drop in OCL)

I<sub>rms</sub>: 710A Max (Based on 40°C Temp Rise)

DCR: 0.276 Ohms Max

SRF: 50MHz Min

### Notes:

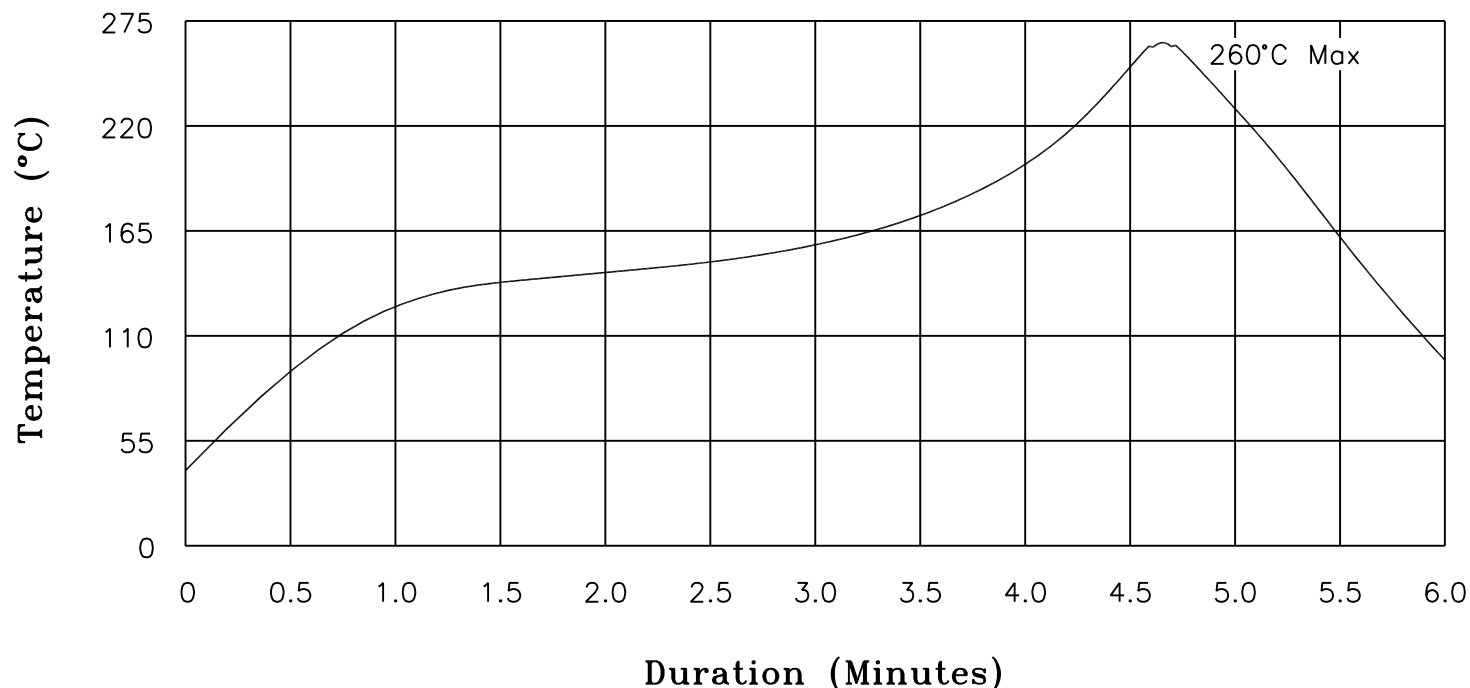
1. Solderability: Leads shall meet MIL-STD-202G, Method 208H for solderability.
2. Flammability: UL94V-0
3. ASTM oxygen index: > 28%
4. Insulation System: Class F 155°C. UL file E151556
5. Operating Temperature Range: All listed parameters are to be within tolerance from -40°C to +85°C
6. Storage Temperature Range: -55°C to +125°C
7. Aqueous wash compatible
8. SMD Lead Coplanarity:  $\pm 0.004"$  (0.102mm)
9. Electrical and mechanical specifications 100% tested
10. RoHS Compliant Component

DOC REV: A/1

<b>XFMRs Inc</b> <a href="http://www.XFMRS.com">www.XFMRS.com</a>	Title: <b>SMD INDUCTOR</b>		
	UNLESS OTHERWISE SPECIFIED	P/N: XF303015-100M	REV. A
TOLERANCES:	DWN.	Feng	Sep-14-18
.xx $\pm 0.25$	CHK.	YK Liao	Sep-14-18
Dimensions in mm	APP.	BSJ	Sep-14-18
SHEET 1 OF 1			

# XFMRs

## Recommended Infrared Reflow Temperature Profile for RoHS Compliant Parts



NOTES: Maximum duration at 260°+0/-5° with 10 seconds Max.  
 Maximum duration above 217° shall be 60-150 seconds.  
 ALL Temperatures refer to topside of the package, measured on the package body surface.

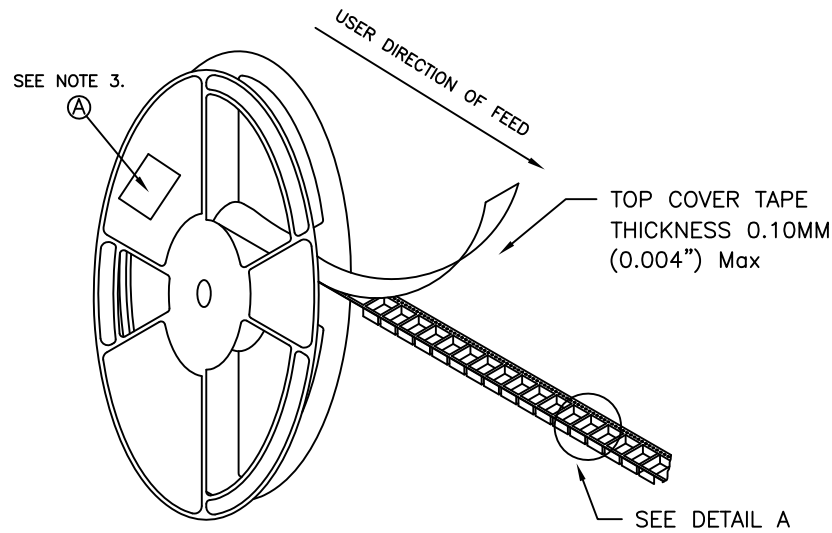
<b>XFMRs Inc</b> www.XFMRs.com	Title: <b>IR REFLOW CHART</b> <b>(RoHS Compliant parts)</b>			
	UNLESS OTHERWISE SPECIFIED TOLERANCES: N/A	P/N: N/A	REV. A	
	DWN.	Juan Mao	Jan-16-05	
	CHK.	YK Liao	Jan-16-05	
SHEET 1 OF 1	APP.	MS	Jan-16-05	

**PROPRIETARY** Document is the property of XFMRs Group & is not allowed to be duplicated without authorization.

# TAPE AND REEL SPECIFICATION:

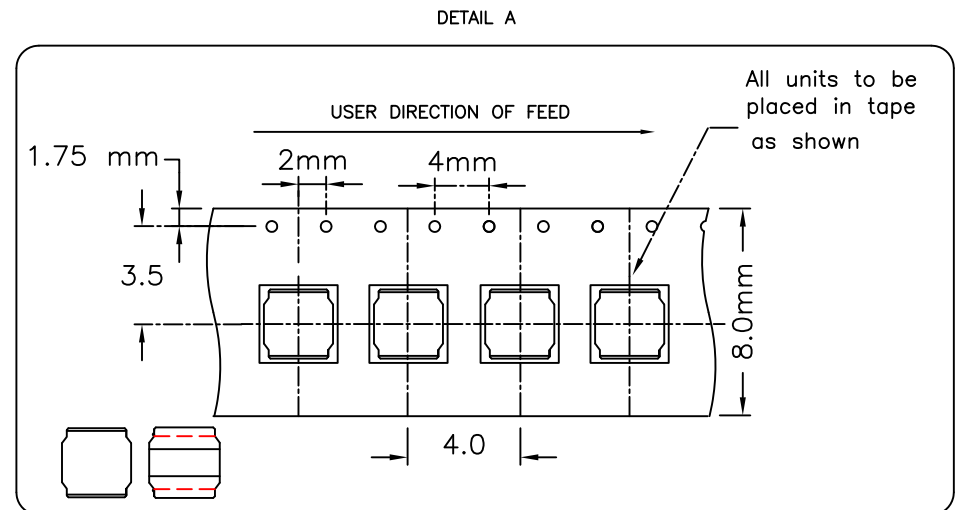
## NOTES:

- 1) PROCESS IN ACCORDANCE WITH EIA-481-2 STANDARDS
  - \* TAPE LEADER DIMENSION 15.30" MIN.
  - \* TAPE TRAILER DIMENSION 6.30" MIN.
- 2) PARTS SHOULD BE PACKAGED IN ACCORDANCE WITH ESD GUIDELINES IN EIA-541.
- 3) REEL LABEL: 'A' \* PART NUMBER
  - \* QUANTITY
  - \* DATE CODE
- 4) 2000PCS PER 7" REEL



REEL AND TAPE ORIENTATION

7" REEL DIAMETER



DOC. REV. A/1

<b>XFMRs Inc</b> www.XFMRS.com	Title: T&R SPEC		
	UNLESS OTHERWISE SPECIFIED TOLERANCES: .xXS ±xxxxx		P/N: XF303015 Series
Dimensions in mm	DWN.	Kong	Jan-24-18
	CHK.	YK Liao	Jan-24-18
SHT 1 OF 1	APP.	GL	Jan-24-18