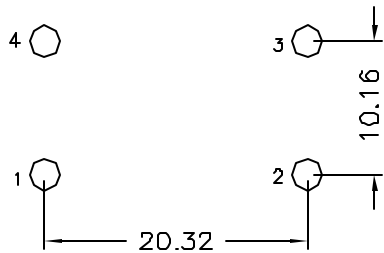
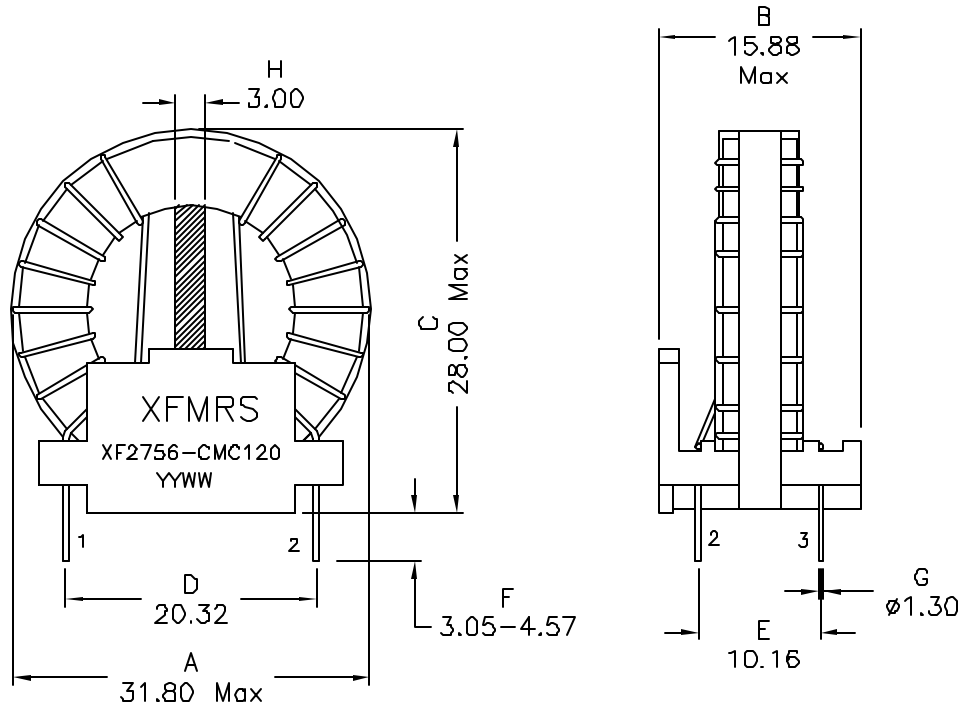


### 1. Mechanical Dimensions:

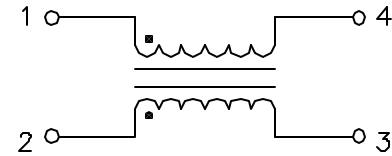


SUGGESTED FOOTPRINT

**Notes:**

1. Solderability: Leads shall meet MIL-STD-202G, Method 208H for solderability.
2. Flammability: UL94V-0
3. ASTM oxygen Index: > 28%
4. Insulation System: Class F 155°C. UL file E151556
5. All listed parameters are to be within tolerance from -40°C to +85°C unless otherwise noted
6. Storage Temperature Range: -55°C to +125°C
7. Aqueous wash compatible
8. Electrical and mechanical specifications 100% tested
9. RoHS Compliant Component

### 2. Schematic:



### 3. Electrical Specifications: @25°C

OCL: EACH WDG, 275uH Min 10KHz 0.1V (0°C to +85°C)

EACH WDG, 120uH Min 10KHz 0.1V (-40°C to 0°C)

Q: Pins 1-4 5 Min 10KHz 0.1V

Rated Current: 13.0Amps

DCR: EACH WDG, 0.008 OHMS MAX

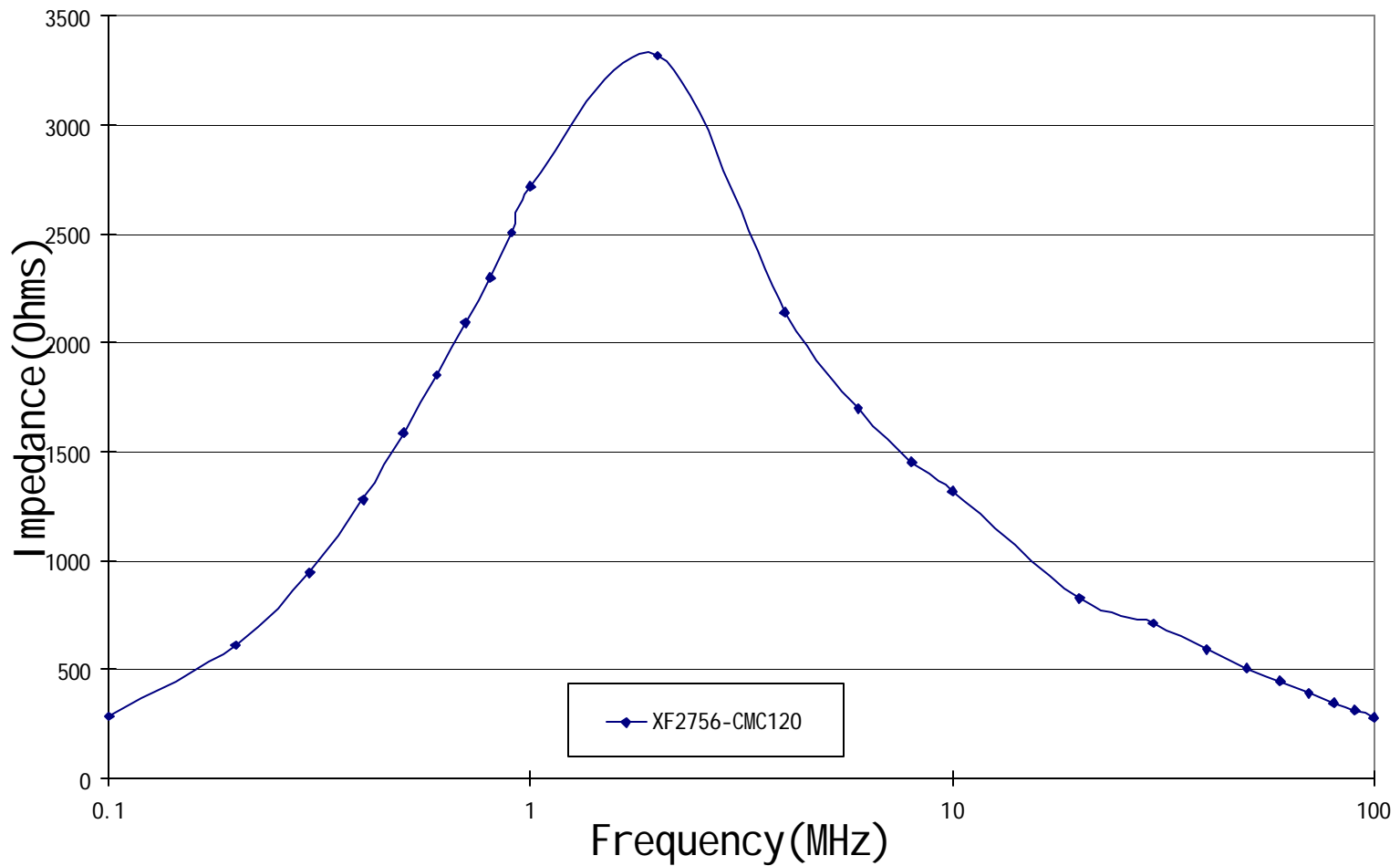
LL: Pins 1-4, 8uH Max @100KHz 0.1V (Short 2-3)

SRF: 2.00MHz Typ

ISOLATION: 1250Vrms WDG to WDG

Doc. Rev: A/2

<b>XFMRs Inc</b> www.XFMRs.com	Title: Common Mode Choke		
	P/N: XF2756-CMC120	REV. A	
UNLESS OTHERWISE SPECIFIED TOLERANCES: .xx ±0.20 Dimensions in mm	DWN.	Feng	Jul-11-11
	APP.	YK Liao	Jul-11-11
SHEET 1 OF 2	APP.	Joe Huff	Jul-11-11



Doc. Rev: A/2

<b>XFMRs Inc</b> www.XFMRS.com	Title: Common Mode Choke		
	UNLESS OTHERWISE SPECIFIED TOLERANCES: .xx ±0.20 Dimensions in mm	P/N: XF2756-CMC120	REV. A
SHEET 2 OF 2	DWN.	Feng	Jul-11-11
	CHK.	YK Liao	Jul-11-11
	APP.	Joe Huff	Jul-11-11

**PROPRIETARY** Document is the property of XFMRs Group & is not allowed to be duplicated without authorization.