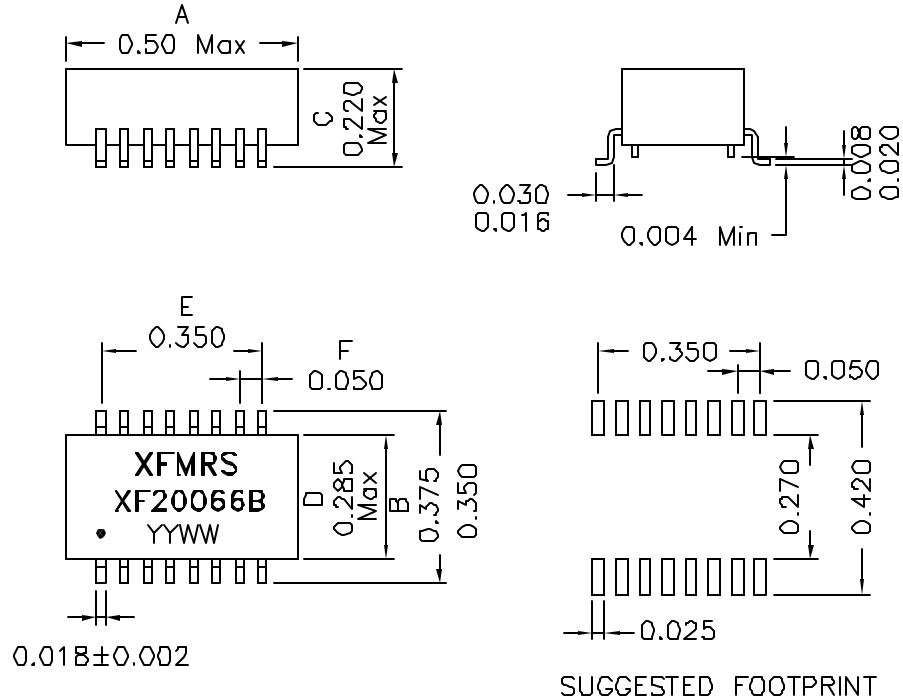
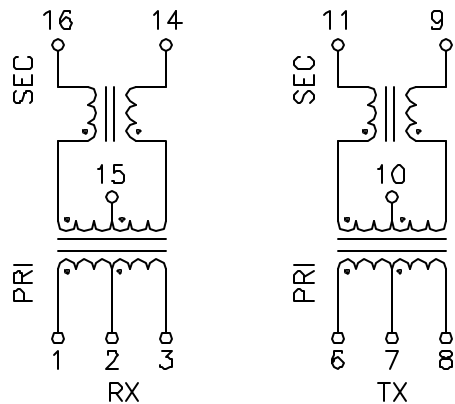


1. Mechanical Dimensions:



2. Schematic:



DOC REV: A/7

3. Electrical Specifications: @25°C

Isolation Voltage: 1500 Vac

Turns Ratio: 1CT:2.5CT±5% (TX)

Turns Ratio: 1CT:1CT±5% (RX)

PRI OCL: 200uH Min @100KHz 20mV

Cw/w: 17pF Max @ 100KHz 20mV (PRI/SEC)

LL: Pins 1-3 0.5uH Max @100KHz 20mV, Short Pins 16-14

LL: Pins 6-8 0.5uH Max @100KHz 20mV, Short Pins 11-9

PRI DCR: 0.40 Ohms Max, Each PRI

DCR: Pins 9-11 1.30 Ohms Max

DCR: Pins 14-16 0.675 Ohms Max

Notes:

1. Solderability: Leads shall meet MIL-STD-202G, Method 208H for solderability.
2. Flammability: UL94V-0
3. ASTM oxygen index: > 28%
4. Insulation System: Class F 155°C, UL file E151558
5. Operating Temperature Range: All listed parameters are to be within tolerance from -40°C to +85°C
6. Storage Temperature Range: -55°C to +125°C
7. Aqueous wash compatible
8. SMD Lead Coplanarity: ±0.004*(0.102mm)
9. Electrical and mechanical specifications 100% tested
10. RoHS Compliant Component

XFMRs Inc www.XFMRs.com		Title: 10 BASE T ISOLATION MAGNETICS	
UNLESS OTHERWISE SPECIFIED TOLERANCES: .xxx ±0.010 Dimensions in Inch		P/N: XF20066B	REV. A
		DWN.	Juan Mao Jun-05-07
SHEET 1 OF 1		CHK.	YK Liao Jun-05-07
		APP.	BW Jun-05-07