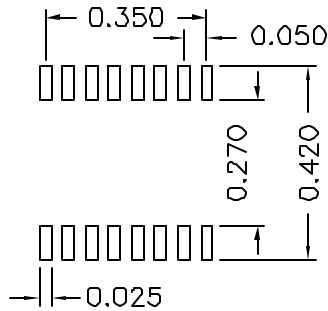
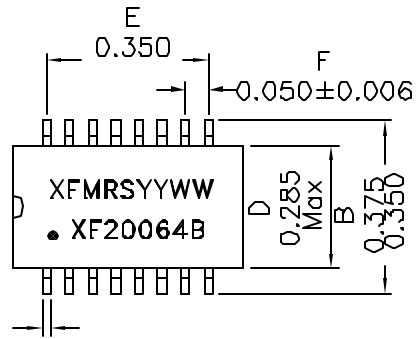
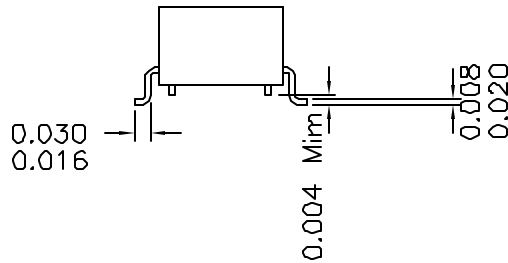
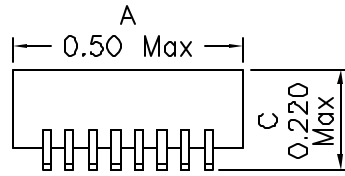


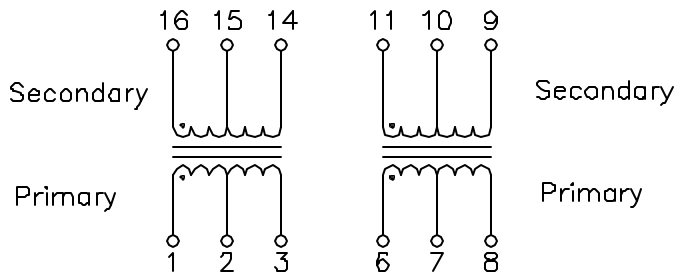
### 1. Mechanical Dimensions:



0.018±0.002

SUGGESTED FOOTPRINT

### 2. Schematic:



### 3. Electrical Specifications: @25°C

Isolation Voltage: 1500Vac

Turns Ratio: Pins (1-2-3):(16-15-14)=1CT:1CT±2%

Turns Ratio: Pins (6-7-8):(11-10-9)=1CT:1.414CT±2%

PRI OCL: 200uH±20% @100KHz 50mV

Cw/w: 15pF Max @100KHz 50mV (Pri/Sec)

PRI LL: 0.3uH Max @100KHz 50mV, Short SEC

PRI DC Resistance: 0.40 Ohms Max

SEC DC Resistance: 0.40 Ohms Max

**Notes:**

1. Solderability: Leads shall meet MIL-STD-202G, Method 208H for solderability.
2. Flammability: UL94V-0
3. ASTM oxygen index: > 28%
4. Insulation System: Class F 155°C, UL file E151556
5. Operating Temperature Range: All listed parameters are to be within tolerance from -40°C to +85°C
6. Storage Temperature Range: -55°C to +125°C
7. Aqueous wash compatible
8. SMD Lead Coplanarity: ±0.004\*(D.102mm)
9. Electrical and mechanical specifications 100% tested
10. RoHS Compliant Component

DOC REV: B/10

**PROPRIETARY**

Document is the property of XFMRs Group & is not allowed to be duplicated without authorization.

XFMRs Inc www.XFMRs.com	Title: 10 BASE T ISOLATION MAGNETICS		
	UNLESS OTHERWISE SPECIFIED TOLERANCES: .xxx ±0.010 Dimensions in Inch		P/N: XF20064B REV. B
SHEET 1 OF 1	DWN.	Juan Mao	Oct-04-07
	CHK.	YK Liao	Oct-04-07
	APP.	MS	Oct-04-07