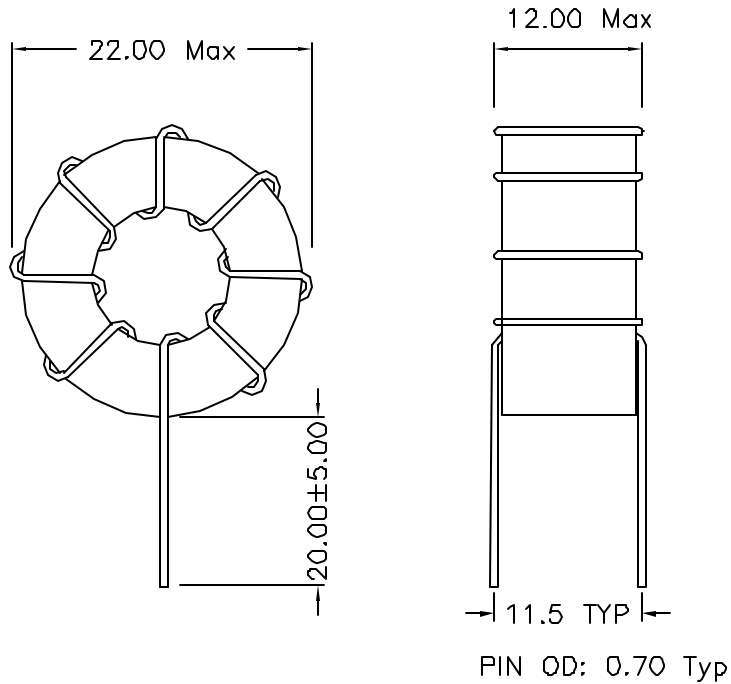


1. Mechanical Dimensions:



NOTE:

STRIP AND TIN TO MOUNT PLAIN
NEED VARNISH
NO MARKINGS REQUIRED

DOC REV: A/3

2. Schematic:



3. Electrical Specifications: @25°C

OCL: 180uH ± 15% @100KHz 0.1V

OCL: 101uH Min @100KHz 1V, 2Adc

DC Resistance: 0.080 Ohms Maximum

Notes:

1. Solderability: Leads shall meet MIL-STD-202G, Method 208H for solderability.
2. Flammability: UL94V-0
3. ASTM oxygen index: > 28%
4. Insulation System: Class F 155°C. UL file E151556
5. Operating Temperature Range: All listed parameters are to be within tolerance from -40°C to +85°C
6. Storage Temperature Range: -55°C to +125°C
7. Aqueous wash compatible
8. Electrical and mechanical specifications 100% tested
9. RoHS Compliant Component

XFMRS Inc www.XFMRS.com		Title: TOROIDAL INDUCTOR	
UNLESS OTHERWISE SPECIFIED TOLERANCES: .xx ±0.25 Dimensions in MM	P/N:	XF1806-VO2	REV. A
	DWN.	Juan Mao	Apr-15-08
	CHK.	YK Liao	Apr-15-08
SHEET 1 OF 1	APP.	BW	Apr-15-08