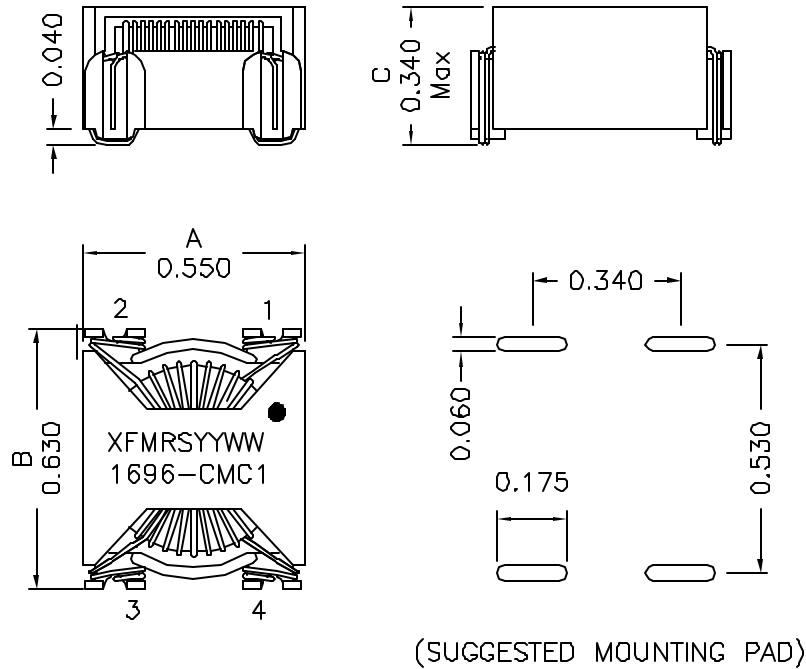
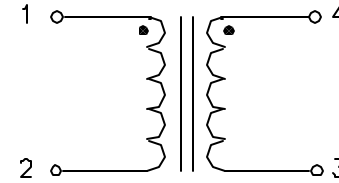


1. Mechanical Dimensions:



2. Schematic



3. Electrical Specification:

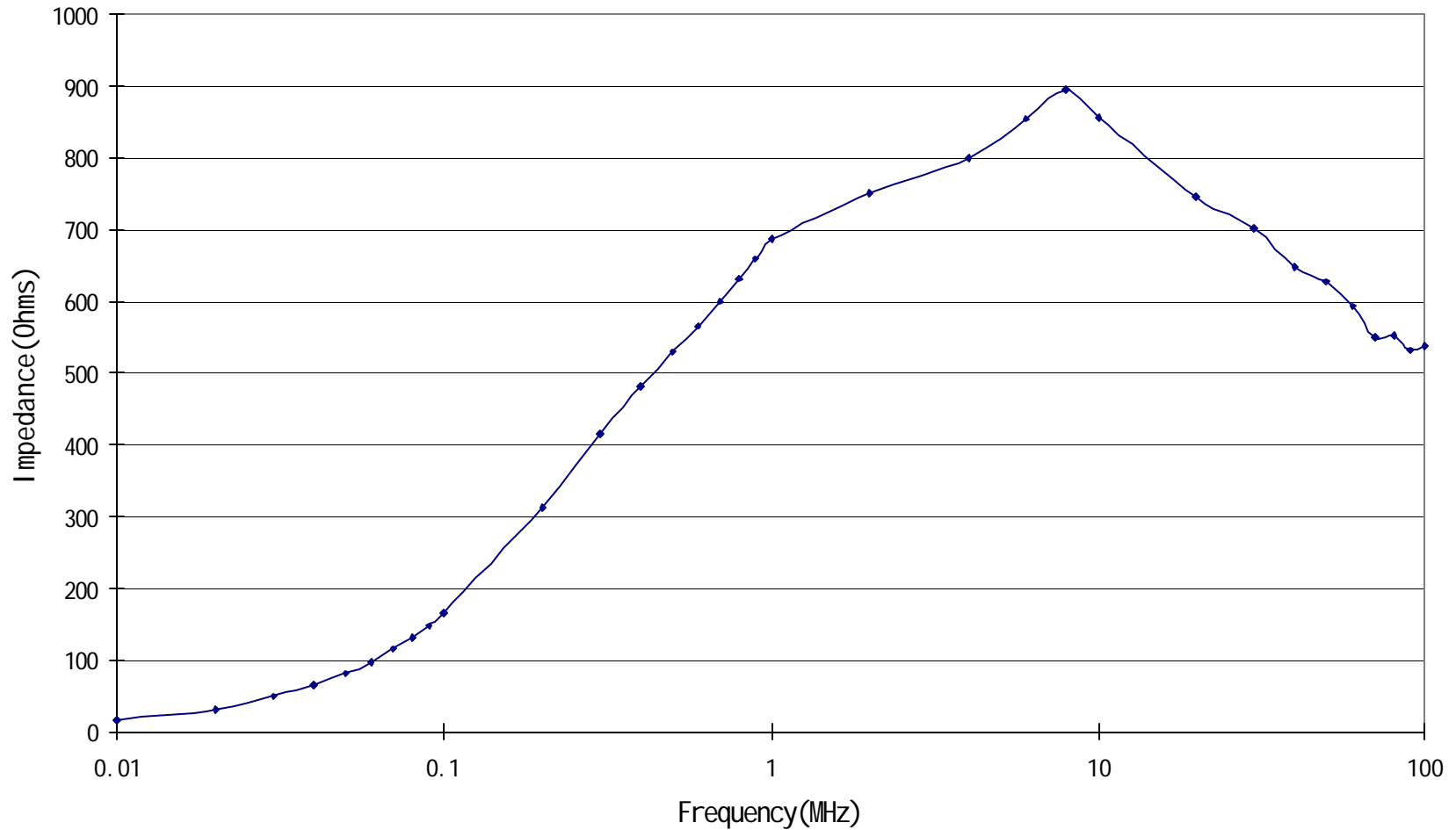
- OCL: 169uH Min @100KHz 0.1V, Each Wdg
- Q: Pins 1-2 2 Min @100KHz 0.1V
- LL: Pins 1-2 2.20uH Max @100KHz 0.10V, Short Pins 4-3
- Turns Ratio(±2%): (1-2):(4-3) = 1:1
- DCR: Pins 1-2 16mOhms Max
Pins 4-3 16mOhms Max
- Hipot: 1500Vac Wdg. to Wdg.

Notes:

- Solderability: Leads shall meet MIL-STD-202G, Method 2DBH for solderability.
- Flammability: ULB4V-0
- ASTM oxygen index: > 28%
- Insulation System: Class F 155°C. UL file E151556
- All listed parameters are to be within tolerance from -40°C to +85°C unless otherwise noted.
- Storage Temperature Range: -55°C to +125°C
- Aqueous wash compatible
- SMD Lead Coplanarity: ±0.004"(0.102mm)
- Electrical and mechanical specifications 100% tested
- RoHS Compliant Component

DOC. REV: A/3

XFMRs Inc. www.XFMRS.com	Title: Common Mode Choke		
	UNLESS OTHERWISE SPECIFIED TOLERANCES: .xxx ±0.010 Dimensions in INCH	P/N: XF1696-CMC1	REV. A
SHEET 1 OF 2	DWN.	Feng	May-03-12
	CHK.	YK Liao	May-03-12
	APP.	Joe Huff	May-03-12



DOC. REV: A/3

XFMRs Inc. www.XFMRS.com	Title: Common Mode Choke		
	UNLESS OTHERWISE SPECIFIED		P/N: XF1696-CMC1
TOLERANCES:			REV. A
.xxx ±0.010	DWN.	Feng	May-03-12
Dimensions in INCH	CHK.	YK Liao	May-03-12
SHEET 2 OF 2	APP.	Joe Huff	May-03-12

PROPRIETARY Document is the property of XFMRs Group & is not allowed to be duplicated without authorization.