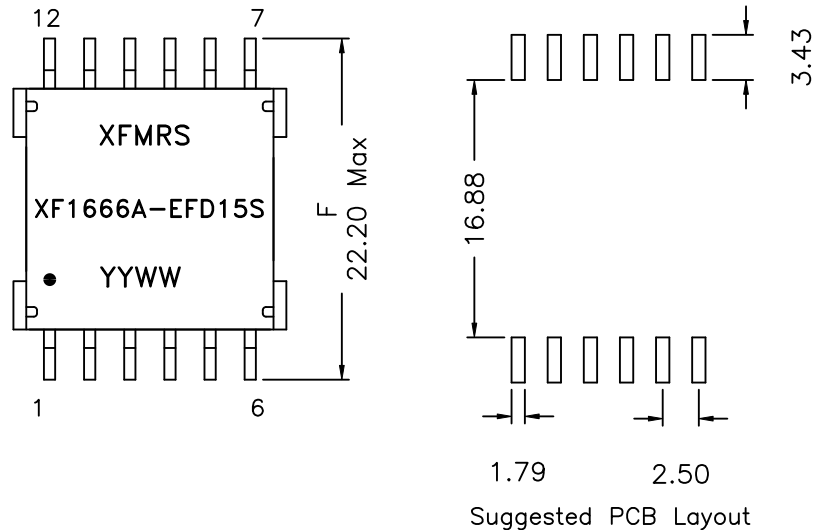
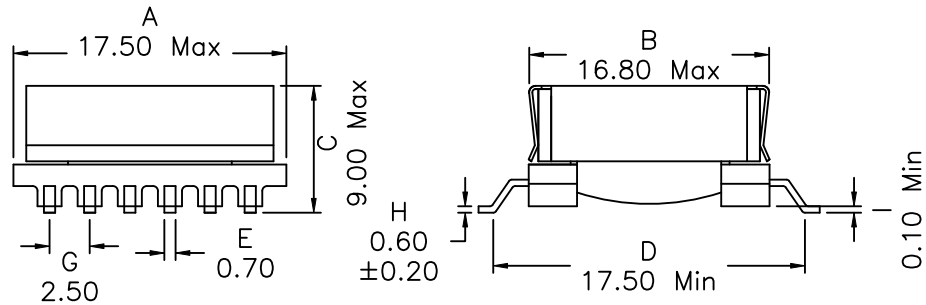


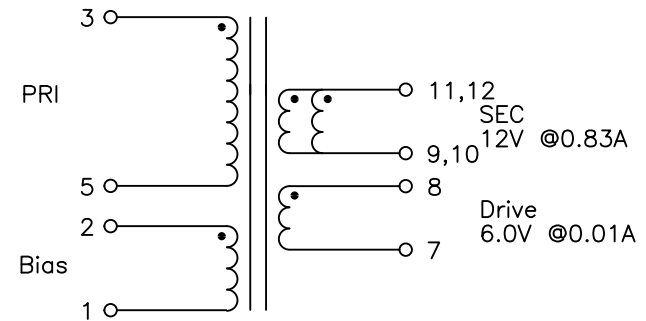
1. Mechanical Dimensions:



Notes:

1. Solderability: Leads shall meet MIL-STD-202G, Method 208H for solderability.
2. Flammability: UL94V-0
3. ASTM oxygen index: > 28%
4. Insulation System: Class F 155°C. UL file E151556
5. Operating Temperature Range: -40°C to +85°C
6. Storage Temperature Range: -55°C to +125°C
7. Aqueous wash compatible
8. SMD Lead Coplanarity: $\pm 0.004^*(0.102\text{mm})$
9. Electrical and mechanical specifications 100% tested
10. RoHS Compliant Component
11. Recommended IR Reflow peak temp of 250°C Max.

2. Schematic:



3. Electrical Specifications: @25°C

- OCL: Pins 3-5 166.5uH \pm 10% @100KHz 0.10V
 Pins 3-5 150uH Min @100KHz 0.10V, 1.20Adc
- LL: Pins 3-5 2.05uH Max @100KHz 0.10V Short all else
- Q: Pins 3-5 15 Min @100KHz 0.10V
- DCR: Pins 3-5 0.760 Ohms Max
 Pins 11-9 0.202 Ohms Max
 Pins 12-10 0.202 Ohms Max
 Pins 8-7 0.500 Ohms Max
 Pins 2-1 1.10 Ohms Max
- Turns Ratio: (3-5):(2-1):(12-10):(11-9):(8-7)
 =1.000:0.500:0.500:0.500:0.250 \pm 2%
- Hipot: 1500Vac, PRI & Bias to SEC
 300Vac, PRI to Bias, All Wdgs to Core
- SRF: Pins 3-5 1500KHz Min

DOC. REV A/2

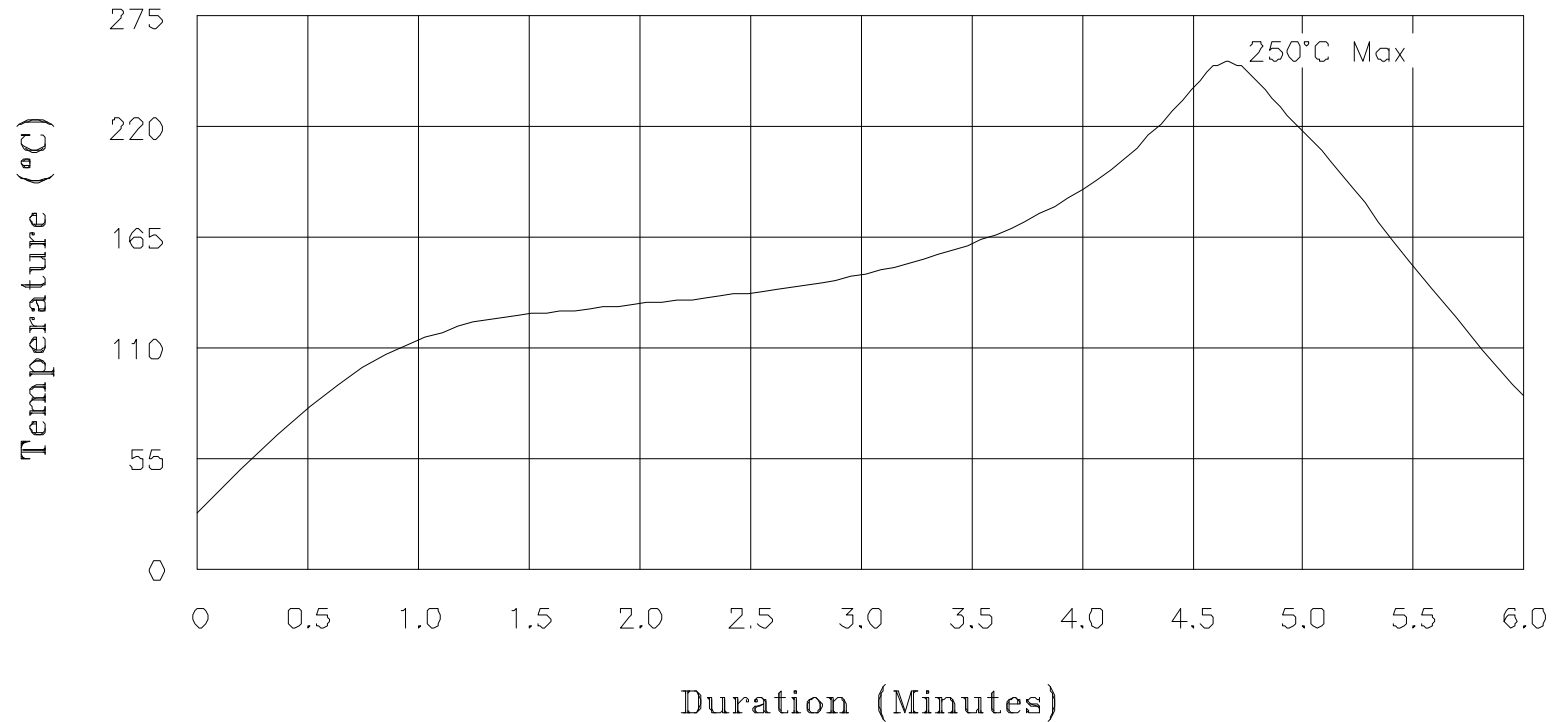
PROPRIETARY

Document is the property of XFMRS Group & is not allowed to be duplicated without authorization.

XFMRS® www.XFMRS.com	Title: TRANSFORMER		
	UNLESS OTHERWISE SPECIFIED	P/N: XF1666A-EFD15S	REV. A
TOLERANCES: .xx \pm 0.20	DWN.	Yu	Jun-13-23
Dimensions in MM	CHK.	YK Liao	Jun-13-23
Scale 2.5:1 SHT 1 OF 1	APP.	BSJ	Jun-13-23

XFMR5®

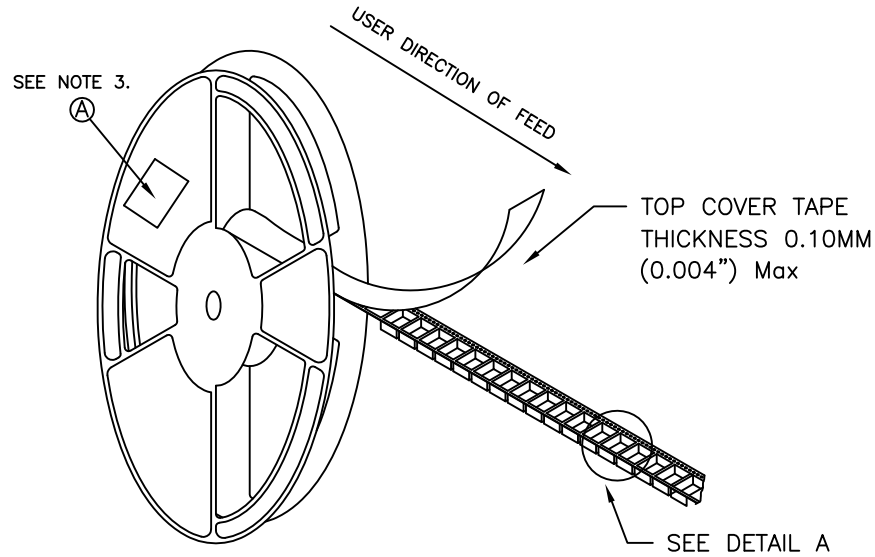
Recommended Infrared Reflow Temperature Profile for Select Parts



NOTES: Maximum duration at 250°+0/-5° shall be 10-15 seconds.
 Maximum duration above 217° shall be 50-120 seconds.
 ALL Temperatures refer to topside of the package, measured on the package body surface.

XFMR5® www.XFMR5.com UNLESS OTHERWISE SPECIFIED TOLERANCES: N/A	Title: IR REFLOW CHART (250°C)		
	P/N: N/A		REV. A
SHEET 1 OF 1	DWN.	Juan Mao	Dec-20-06
	CHK.	YK Liao	Dec-20-06
	APP.	Joe Huff	Dec-20-06

TAPE AND REEL SPECIFICATION:



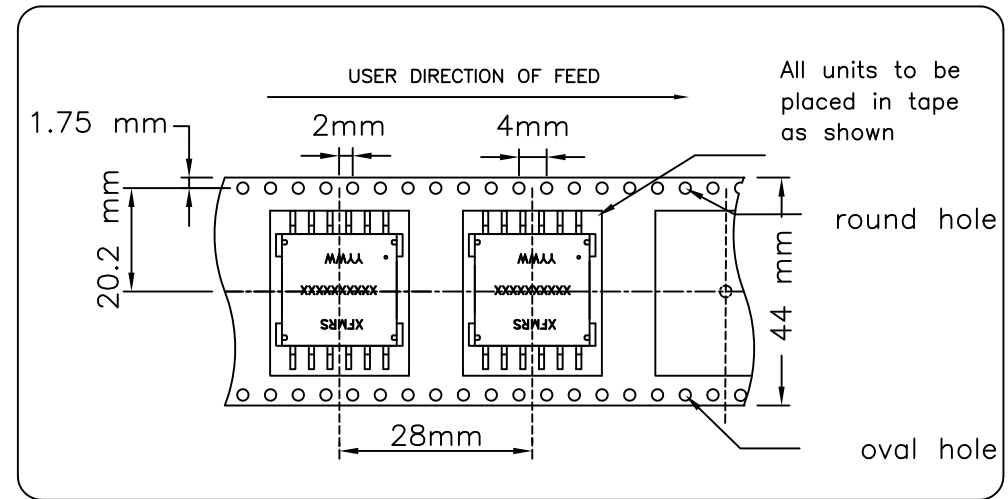
REEL AND TAPE ORIENTATION

13" REEL DIAMETER

NOTES:

- 1) PROCESS IN ACCORDANCE WITH EIA-481-2 STANDARDS
 - * TAPE LEADER DIMENSION 15.30" MIN.
 - * TAPE TRAILER DIMENSION 6.30" MIN.
- 2) PARTS SHOULD BE PACKAGED IN ACCORDANCE WITH ESD GUIDELINES IN EIA-541.
- 3) REEL LABEL: 'A' * PART NUMBER
 - * QUANTITY
 - * DATE CODE
- 4) 200PCS PER 13" REEL

DETAIL A



DOC REV: A/5

XFMRS Inc	Title: T&R SPEC		
	UNLESS OTHERWISE SPECIFIED	P/N: EFD15 12pin SMD	REV. A
TOLERANCES:	DWN.	Kong	Jan-28-10
.xx ±xxxxxx	CHK.	YK Liao	Jan-28-10
Dimensions in mm	APP.	Joe Huff	Jan-28-10
SHT 1 OF 2			

PROPRIETARY

Document is the property of XFMRS Group & is allowed to be duplicated without authorization.