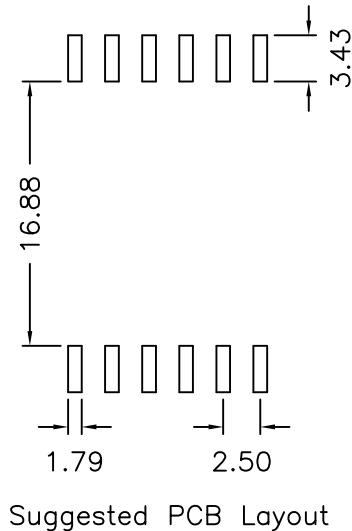
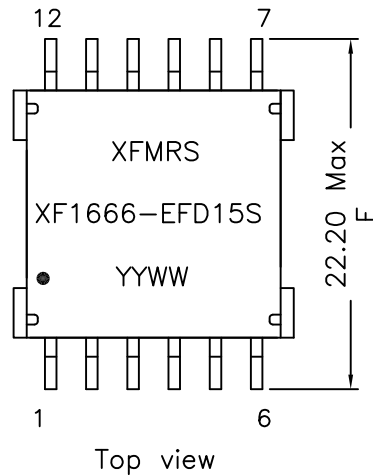
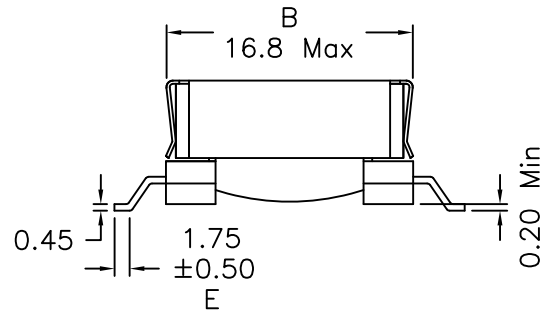
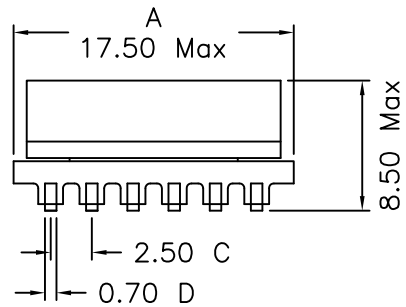


1. Mechanical Dimensions:

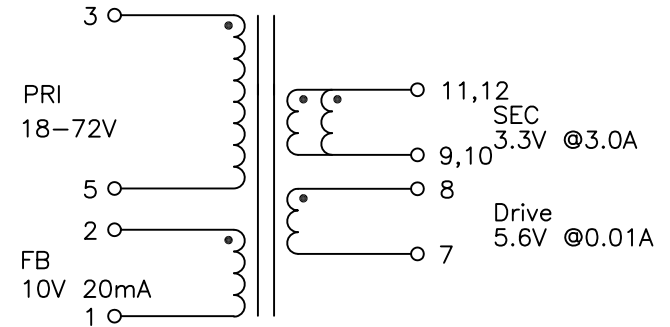


Notes:

- Solderability: Leads shall meet MIL-STD-202G, Method 208H for solderability.
- Flammability: UL94V-0
- ASTM oxygen index: > 28%
- Insulation System: Class F 155°C. UL file E151556
- Operating Temperature Range: All listed parameters are to be within tolerance from -40°C to +85°C
- Storage Temperature Range: -55°C to +125°C
- Aqueous wash compatible
- SMD Lead Coplanarity: ±0.004" (0.102mm)
- Electrical and mechanical specifications 100% tested
- RoHS Compliant Component
- Recommended IR Reflow peak temp of 235°C Max.

DOC. REV: A/2

2. Schematic:



3. Electrical Specifications: @25°C

- OCL: Pins 3-5 166.5uH±10% @100KHz, 0.10V
Pins 3-5 150uH Min @100KHz, 0.10V, 1.20Adc
- LL: Pins 3-5 2.5uH Max @100KHz, 0.10V Short all else
- Q: Pins 3-5 30 Min @100KHz, 0.10V
- DCR: Pins 3-5 0.770 Ohms Max
Pins 11,12-9,10 0.020 Ohms Max
Pins 8-7 0.560 Ohms Max
Pins 2-1 1.12 Ohms Max
- Turns Ratio: (3-5):(11,12-9,10)=6.5:1±2%
(3-5):(8-7)=3.7:1±2%
(3-5):(2-1)=2.0:1±2%
- Hipot: 1500Vac, PRI & FB to SEC
300Vac, PRI to FB, All Wdgs to Core

XFMRs Inc www.XFMRs.com	Title: TRANSFORMER		
	UNLESS OTHERWISE SPECIFIED TOLERANCES: .xx ±0.20		P/N: XF1666-EFD15S
Dimensions in MM	DWN.	Yuan	Sep-29-14
	CHK.	YK Liao	Sep-29-14
SHEET 1 OF 1	APP.	BW	Sep-29-14