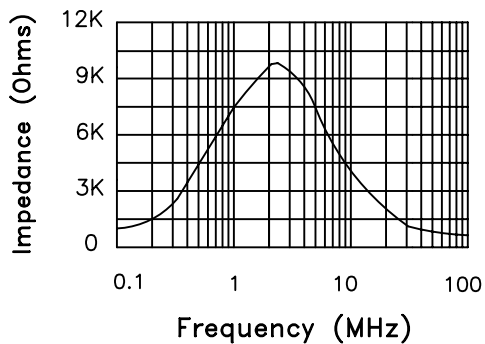
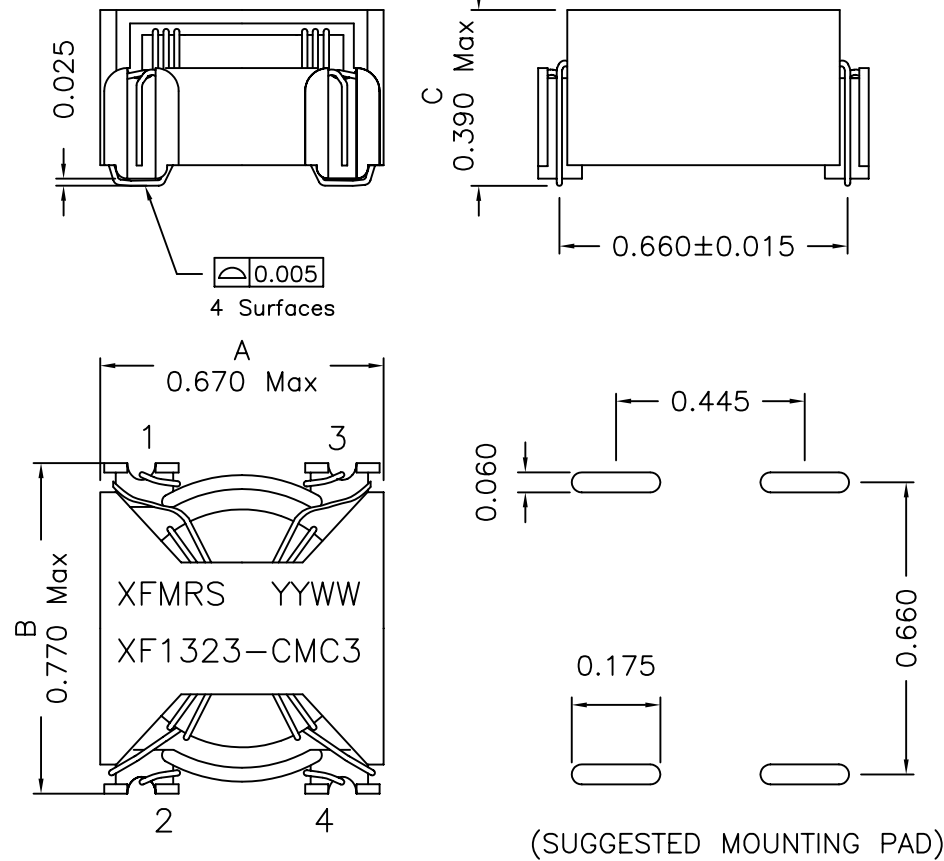
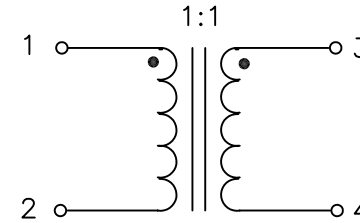


1. Mechanical Dimensions:



DOC. REV A/8

2. Schematic:



3. Electrical Specification:

URNS RATIO: 1:1

OCL: 1.32mH ±25% @10KHz 1.0V each

LL: P1-2 2.5uH Min @10KHz 1.0V P3-4 shorted

DCR: 0.060 OHMS Max each

Rated Current (For 55c Rise): 3.3 A

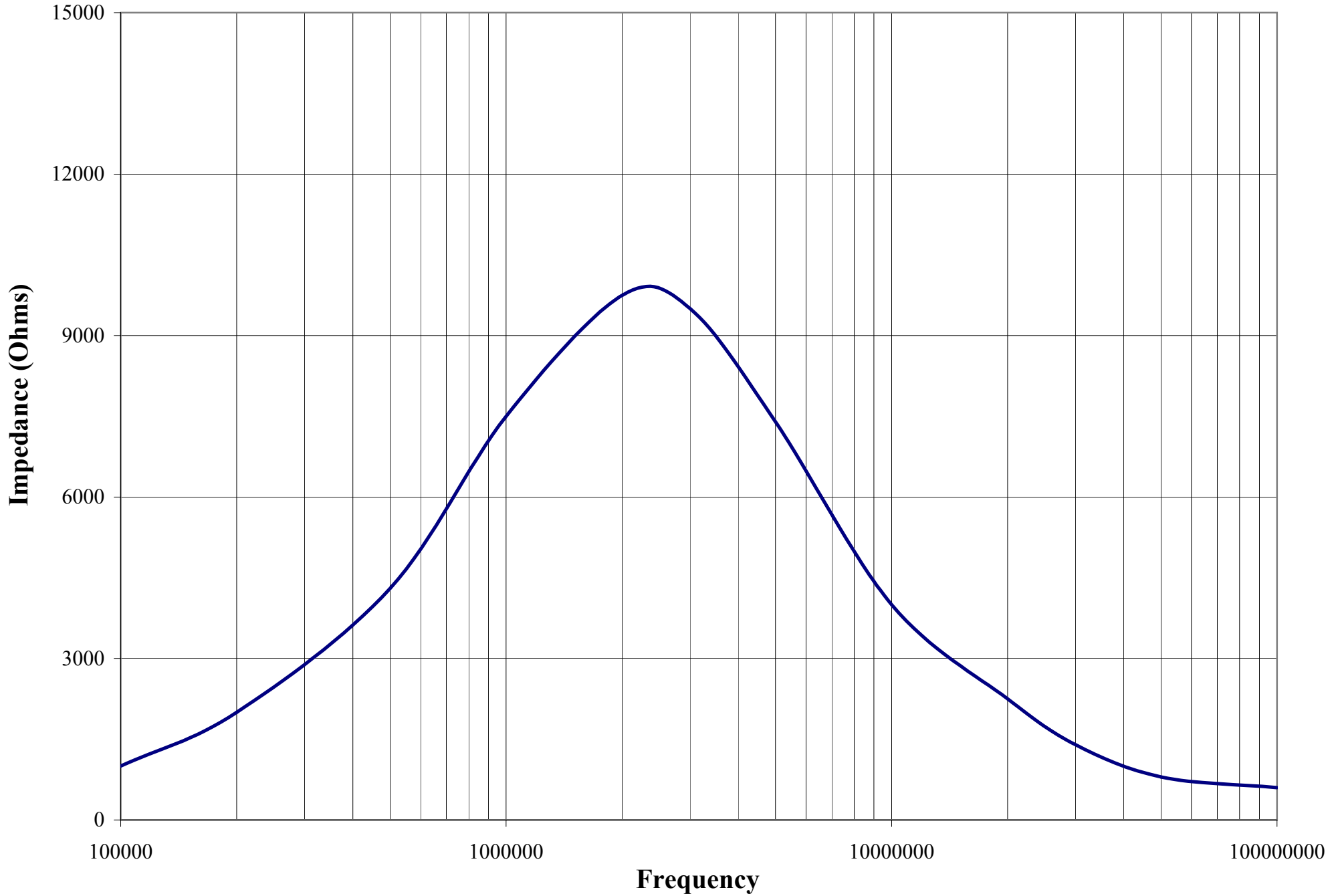
HIPOT: 1000Vrms

Notes:

1. Solderability: Leads shall meet MIL-STD-202G, Method 208H for solderability.
2. Flammability: UL94V-0
3. ASTM oxygen index: > 28%
4. Insulation System: Class F 155°C. UL file E151556
5. Operating Temperature Range: All listed parameters are to be within tolerance from -40°C to +85°C
6. Storage Temperature Range: -55°C to +125°C
7. Aqueous wash compatible
8. SMD Lead Coplanarity: ±0.004"(0.102mm)
9. Electrical and mechanical specifications 100% tested
10. RoHS 6/6 Compliant Component

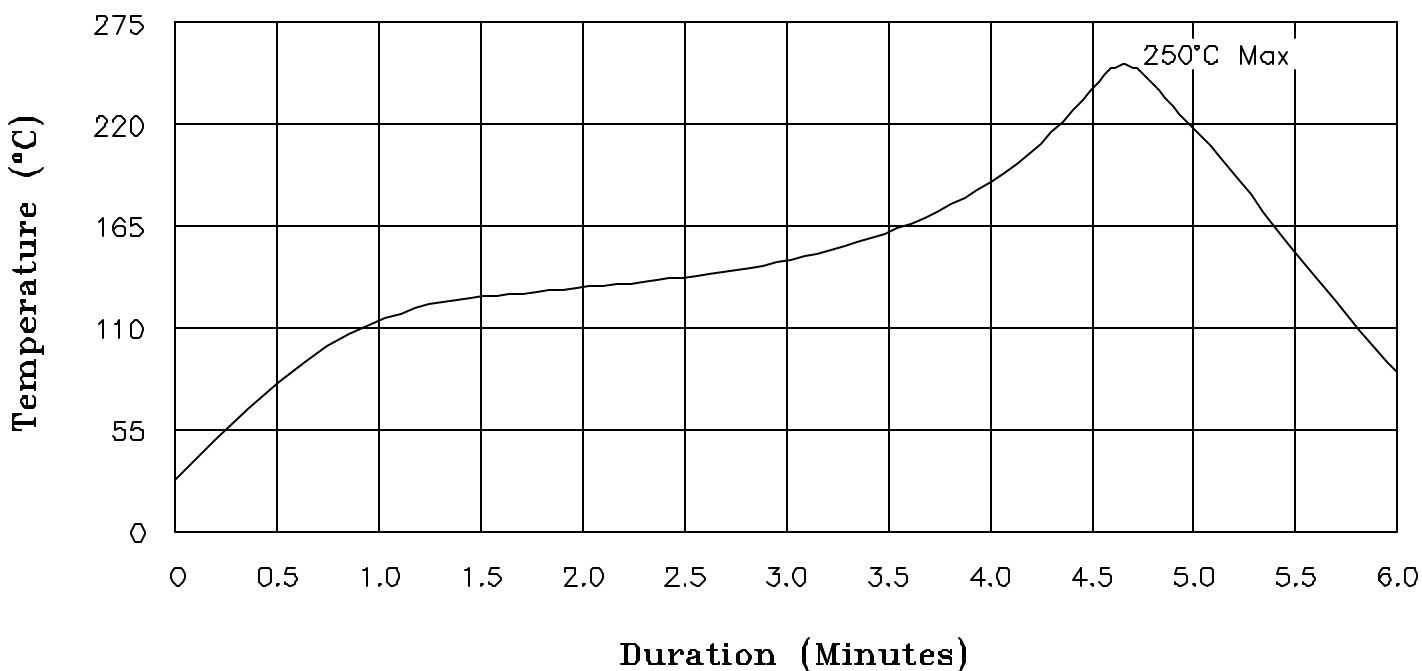
XFMRS Inc. www.XFMRs.com	Title: TRANSFORMER		
	UNLESS OTHERWISE SPECIFIED TOLERANCES: .xxx ±0.010 INCH Dimensions in INCH	P/N: XF1323-CMC3	REV. A
SHEET 1 OF 1	DWN.	Juan Mao	Mar-08-10
	CHK.	YK Liao	Mar-08-10
	APP.	BW	Mar-08-10

XFMRs, Inc.
XF1323-CMC3



XFMRs

Recommended Infrared Reflow Temperature Profile for Select Parts



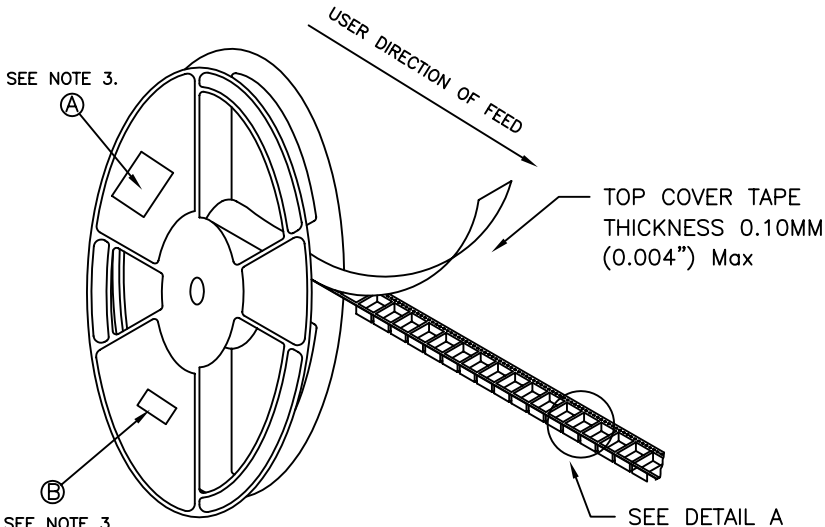
NOTES: Maximum duration at 250°+0/-5° shall be 10-15 seconds.
 Maximum duration above 217° shall be 50-120 seconds.
 ALL Temperatures refer to topside of the package, measured on the package body surface.

XFMRs Inc www.XFMRs.com	Title: IR REFLOW CHART (250°C)		
	UNLESS OTHERWISE SPECIFIED TOLERANCES: N/A		P/N: N/A
SHEET 1 OF 1	DWN.	Juan Mao	Dec-20-06
	CHK.	YK Liao	Dec-20-06
	APP.	Joe Huff	Dec-20-06

TAPE AND REEL SPECIFICATION:

NOTES:

- 1) PROCESS IN ACCORDANCE WITH EIA-481-2 STANDARDS
 - *TAPE LEADER DIMENSION 15.30" MIN.
 - *TAPE TRAILER DIMENSION 6.30" MIN.
- 2) PARTS SHOULD BE PACKAGED IN ACCORDANCE WITH ESD GUIDELINES IN EIA-541.
- 3) REEL LABEL: 'A' * PART NUMBER
 - * QUANTITY
 - * DATE CODE
 REEL LABEL: 'B' * ANTI-STATIC CAUTION LABEL
- 4) 250pcs PER 13" REEL



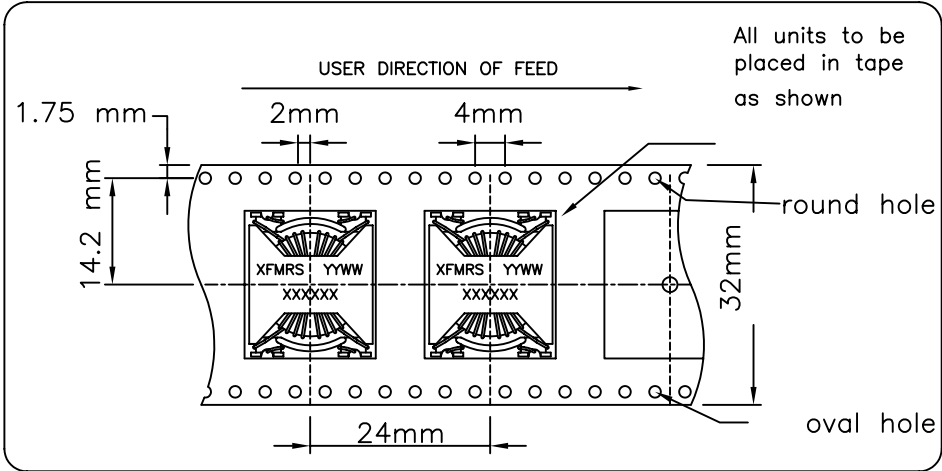
REEL AND TAPE ORIENTATION

13" REEL DIAMETER

FOR PARTS:

- SK192 XF1323-CMC3
- T099730828 XF0023-CMC2
- XF0013-CMC3 XF5906-CMC3
- XF0023-CMC3 XF0033-CMC2
- XF0033-CMC3 XF0103-CMC2
- XF0163-CMC3 XF1006-CMC3
- XF7686-CMC3 XF0246-CMC3
- XF0013A-CMC3 XF2506-CMC3
- 310640-002 320-0243-012
- 310640-003

DETAIL A



DOC REV:A/3

XFMR5 Inc		Title: T&R SPEC	
UNLESS OTHERWISE SPECIFIED TOLERANCES: .xxx ±xxxxx Dimensions in mm	P/N: XFCMC3 SERIES		REV. A
	DWN.	Kong	Feb-02-10
	CHK.	YK Liao	Feb-02-10
SHT 2 OF 2	APP.	BW	Feb-02-10