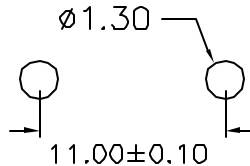
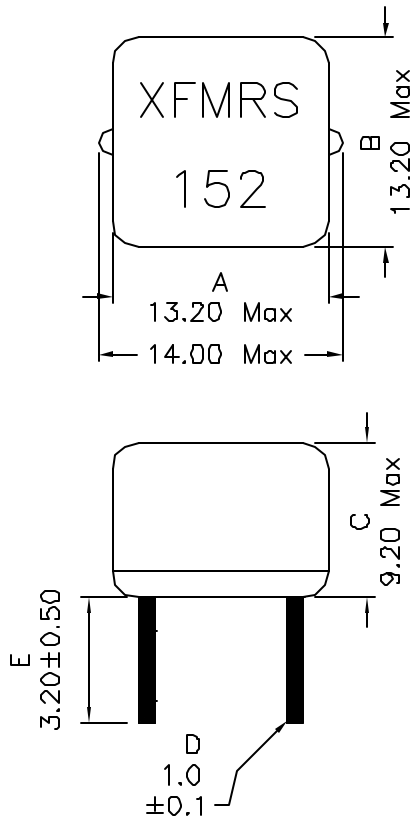


## 1. Mechanical Dimensions:



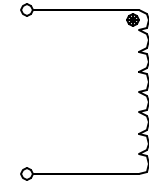
Typical Pad Layout

### Notes:

1. Solderability: Leads shall meet MIL-STD-202G, Method 206H for solderability.
2. Flammability: UL94V-0
3. ASTM oxygen index: > 28%
4. Insulation System: Class F 155°C. UL file E151556
5. Operating Temperature Range: All listed parameters are to be within tolerance from -40°C to +85°C
6. Storage Temperature Range: -55°C to +125°C
7. Aqueous wash compatible
8. Electrical and mechanical specifications 100% tested
9. RoHS Compliant Component

DOC. REV: A/1

## 2. Schematic:



## 3. Electrical Specifications:

OCL: 1.50uH±15% @100KHz 0.1V

DCR: 3.0 mOhms Max

I<sub>dc</sub>: 19Adc (Based on 40°C Temp Rise)

I<sub>sat</sub>: 25Adc (Based on 15% drop in OCL)

**PROPRIETARY** Document is the property of XFMRS Group & is not allowed to be duplicated without authorization.

<b>XFMRS Inc</b> www.XFMRS.com		Title: INDUCTORS	
UNLESS OTHERWISE SPECIFIED TOLERANCES: .xx ±0.25 Dimensions in MM		P/N: XF131309-152	REV. A
		DWN. Juan Mao	Jun-19-06
Scale 2.5:1 SHT 1 OF 1		CHK. YK Liao	Jun-19-06
		APP. BW	Jun-19-06