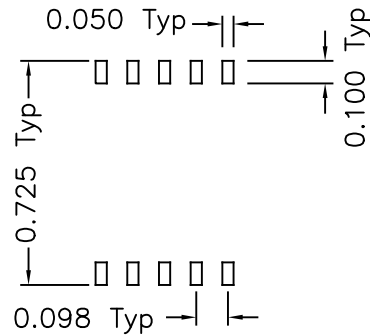
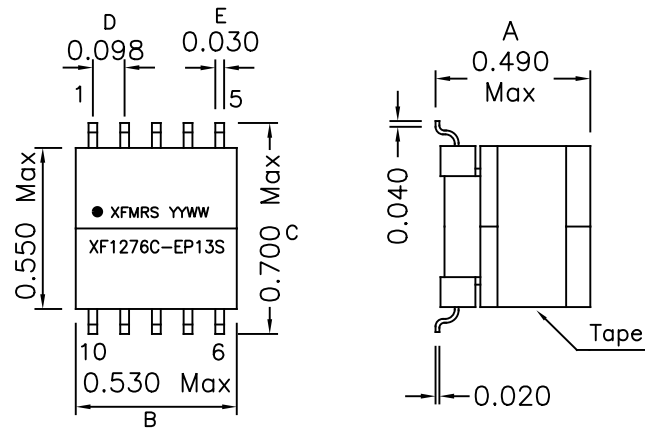


1. Mechanical Dimensions:

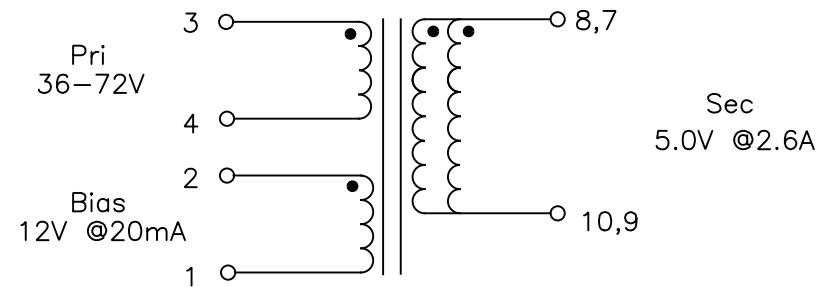


Suggested PCB Layout

Notes:

1. Solderability: Leads shall meet MIL-STD-202G, Method 208H for solderability.
2. Flammability: UL94V-0
3. ASTM oxygen index: > 28%
4. Insulation System: Class F 155°C. UL file E151556
5. Operating Temperature Range: -40°C to +85°C
6. Storage Temperature Range: -55°C to +125°C
7. Aqueous wash compatible
8. SMD Lead Coplanarity: $\pm 0.004''$ (0.102mm)
9. Electrical and mechanical specifications 100% tested
10. RoHS Compliant Component
11. Recommended IR Reflow peak temp of 250C Max.

2. Schematic:



3. Electrical Specifications: @25C

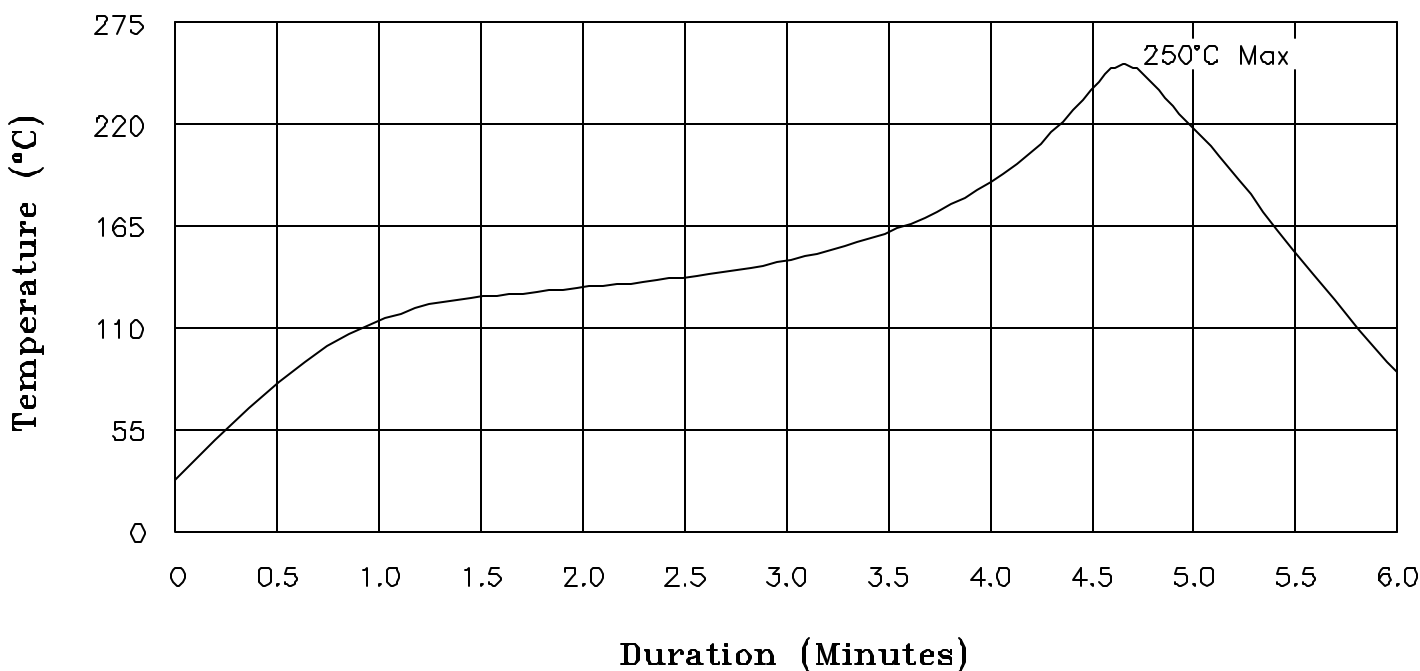
- OCL: Pins 3-4 127uH \pm 10% @250KHz 0.2V
- OCL: Pins 3-4 114.3uH Min @250KHz 0.2V, 1Adc
- Q: Pins 3-4 45 Min @250KHz 0.2V
- LL: Pins 3-4 0.950uH Max @250KHz 0.1V, Short All Else
- DCR: Pins 3-4 0.222 Ohms Max
- DCR: Pins 2-1 0.348 Ohms Max
- DCR: Pins 8,7-10,9 0.039 Ohms Max
- Turns Ratio: Pins (3-4):(2-1):(8-10):(7-9)= 1:0.5:0.25:0.25
- Hipot: 1500Vrms Pri & Bias to Sec, for 1 Second, 0.5mA Max of the leakage current

DOC. REV: A/3

XFMRs [®] www.XFMRS.com	Title: PoE Transformer		
	UNLESS OTHERWISE SPECIFIED	P/N:XF1276C-EP13S	REV. A
TOLERANCES: .xxx \pm 0.010 Dimensions in INCH	DWN.	Mei Chen	Sep-12-19
	CHK.	YK Liao	Sep-12-19
SHEET 1 OF 1	APP.	GL	Sep-12-19

XFMRs

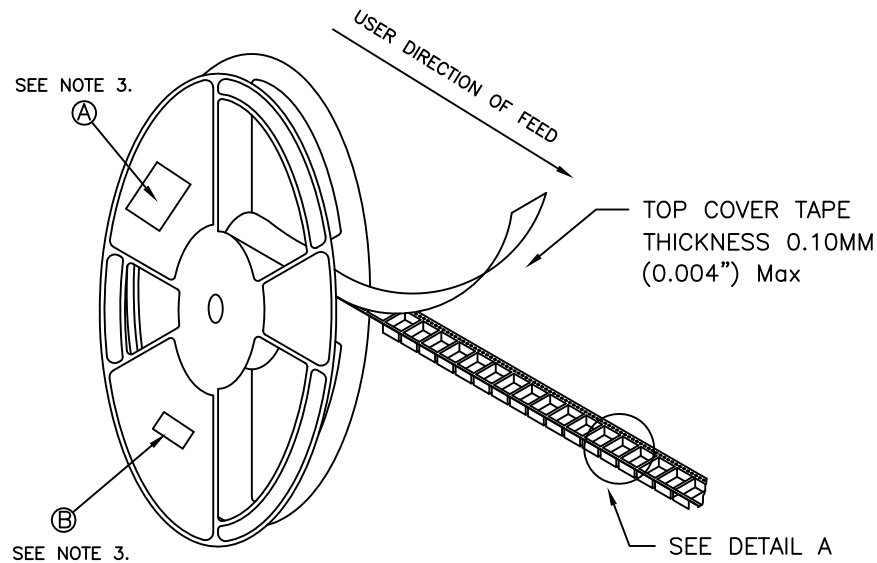
Recommended Infrared Reflow Temperature Profile for Select Parts



NOTES: Maximum duration at 250°+0/-5° shall be 10-15 seconds.
 Maximum duration above 217° shall be 50-120 seconds.
 ALL Temperatures refer to topside of the package, measured on the package body surface.

XFMRs Inc www.XFMRs.com	Title: IR REFLOW CHART (250°C)			
	UNLESS OTHERWISE SPECIFIED TOLERANCES: N/A		P/N: N/A	REV. A
	DWN.	Juan Mao	Dec-20-06	
	CHK.	YK Liao	Dec-20-06	
SHEET 1 OF 1	APP.	Joe Huff	Dec-20-06	

TAPE AND REEL SPECIFICATION:

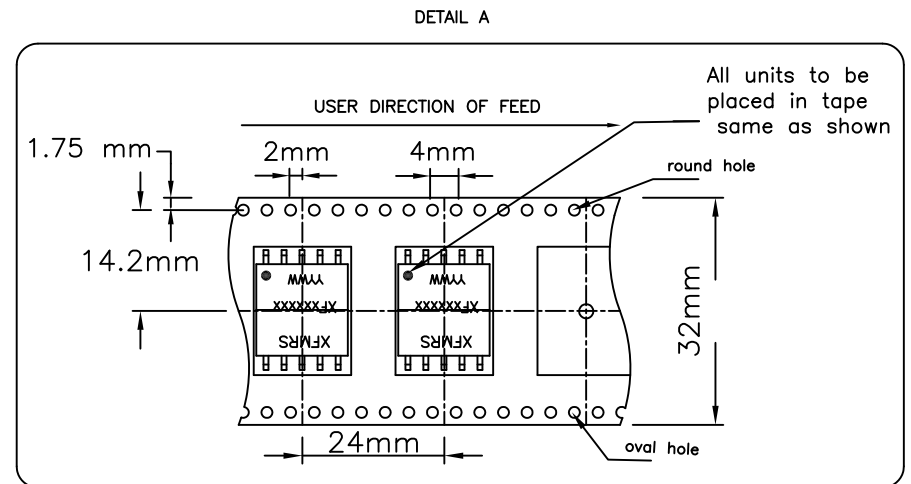


REEL AND TAPE ORIENTATION

13" REEL DIAMETER

NOTES:

- 1) PROCESS IN ACCORDANCE WITH EIA-481-2 STANDARDS
 - * TAPE LEADER DIMENSION 15.30" MIN.
 - * TAPE TRAILER DIMENSION 6.30" MIN.
- 2) PARTS SHOULD BE PACKAGED IN ACCORDANCE WITH ESD GUIDELINES IN EIA-541.
- 3) REEL LABEL: 'A' * PART NUMBER
 * QUANTITY
 * DATE CODE
 'B' - ANTI-STATIC CAUTION LABEL
- 4) 180pcs PER 13" REEL



XFMRS Inc	Title: T&R SPEC	
	UNLESS OTHERWISE SPECIFIED TOLERANCES: .xxs ±xxxxxx Dimensions in mm	P/N: EP13 DWN. 廖玉坤 CHK. 李清儿 APP. Isaiah M
	REV: A	Oct-30-01
	Oct-30-01	Oct-30-01
SHT 1 OF 1		Oct-30-01