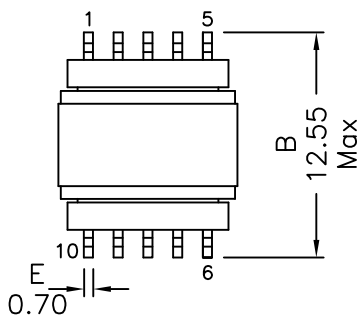
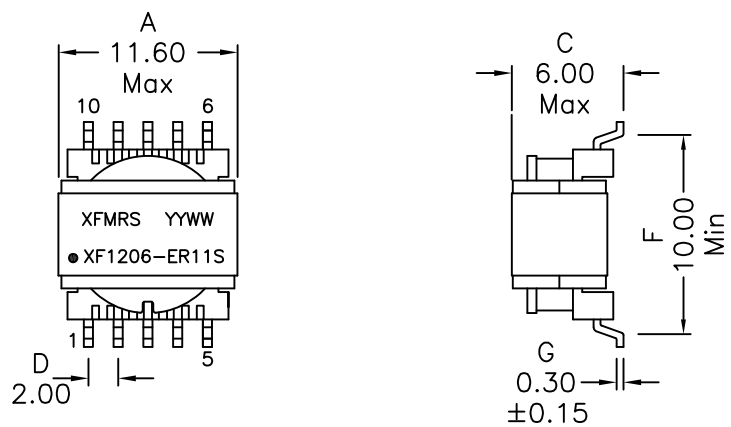
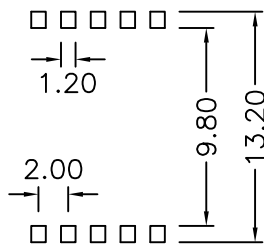


## 1. Mechanical Dimensions:

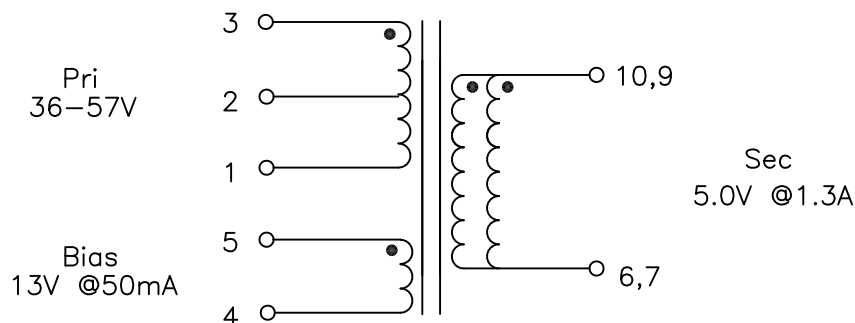


(BOTTOM VIEW)



Suggested Pad Layout

## 2. Schematic:



## 3. Electrical Specifications: @25°C

OCL: Pins 3-1 120uH±10% @300KHz 0.2V

Q: Pins 3-1 80 Min @300KHz 0.2V

LL: Pins 3-1 1.80uH Max @300KHz 0.1V (Short All Else)

DCR: Pins 3-1 0.700 Ohms Max

Pins 5-4 0.250 Ohms Max

Pins 10-6 0.030 Ohms Max

Pins 9-7 0.030 Ohms Max

Turns Ratio: (3-1):(5-4):(10-6):(9-7)=1:0.385:0.154:0.154±2%

Hipot: 1500Vrms Pri & Bias to Sec

SRF: Pins 3-1 650KHz Min

### Notes:

1. Solderability: Leads shall meet MIL-STD-202G, Method 208H for solderability.
2. Flammability: UL94V-0
3. ASTM oxygen index: > 28%
4. Insulation System: Class F 155°C. UL file E151556
5. Operating Temperature Range: All listed parameters are to be within tolerance from -40°C to +85°C
6. Storage Temperature Range: -55°C to +125°C
7. Aqueous wash compatible
8. SMD Lead Coplanarity: ±0.004"(0.102mm)
9. Electrical and mechanical specifications 100% tested
10. RoHS Compliant Component
11. Recommended IR Reflow peak temp of 235°C Max.

DOC. REV: A/3

<b>XFMR5 Inc</b> www.XFMR5.com	Title: PoE Transformer		
	UNLESS OTHERWISE SPECIFIED TOLERANCES: .xx ±0.25 Dimensions in MM	P/N: XF1206-ER11S	REV. A
SHEET 1 OF 1	DWN.	Yuan	May-13-15
	CHK.	YK Liao	May-13-15
	APP.	DDC	May-13-15

**PROPRIETARY**

Document is the property of XFMR5 Group & is not allowed to be duplicated without authorization.