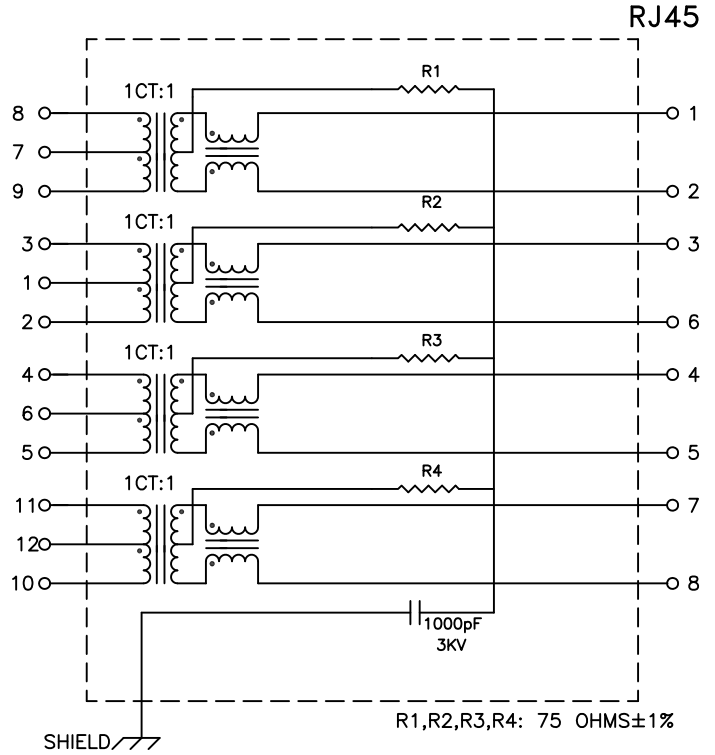


### Schematic:



**Notes:**

1. Solderability: Leads shall meet MIL-STD-202G, Method 208H for solderability.
2. Flammability: UL94V-0
3. ASTM oxygen index: > 28%
4. UL Recognized Component: File Number E165866
5. Operating Temperature Range: All listed parameters are to be within tolerance from -40°C to +85°C
6. Storage Temperature Range: -55°C to +125°C
7. Aqueous wash compatible
8. Electrical and mechanical specifications 100% tested
9. RoHS Compliant Component

ISOLATION: 2250Vdc, 60 Sec with a rise time of 500V/sec

OCL: UTP SIDE 120uH Min @100KHz 0.1V

INSERTION LOSS: - 0.5-1.3 \* (f-1)/400 dB Min @ 1-400MHz

RETURN LOSS: -22-1.33 \* l g(f) dB Max @1-2 MHz  
 -26+1.7 \* l g(f/2) dB Max @ 2-100MHz  
 -23+10 \* l g(f/100) dB Max @100-200 MHz  
 -20dB Max @200-300MHz  
 -20+50 \* l g(f/300) dB Max @300-600 MHz

CM TO DIFF.MODE Rejection Ratio:  
 - 40 + 6.519 \* l g(f)dB Max@1-200MHz  
 - 25 dB Max @200-600 MHz  
 - 0.025(f) - 40dB Max @600-1000MHz

CM TO COMM. MODE Rejection Ratio:  
 -50 dB Max @ 1-30 MHz  
 -50 + 23.05 \* l g(f/30) dB Max @30-600MHz

URNS RATIO: (PRI/SEC) 1CT:1CT ±2%

Q: tbd Min @100KHz 0.1V

# PRELIMINARY

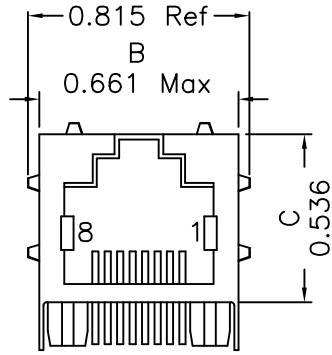
DOC. REV: A/-

**PROPRIETARY:**

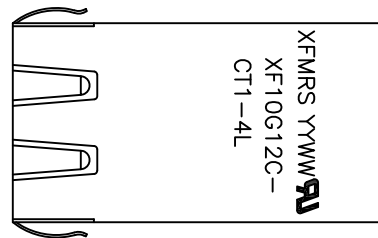
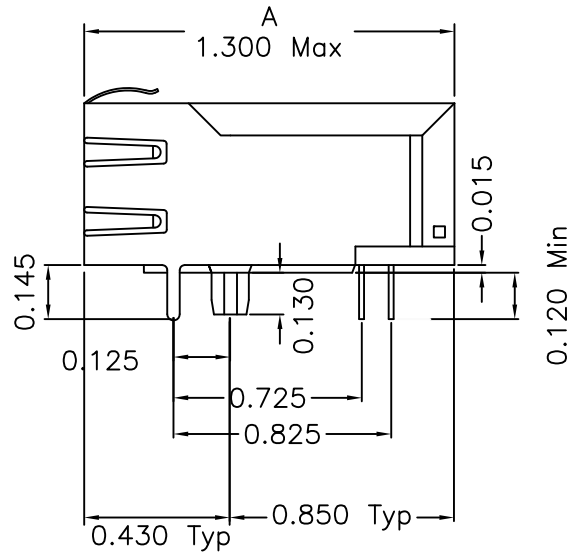
Document is the property of XFMRs Group & is not allowed to be duplicated without authorization.

<b>XFMRs Inc</b> www.XFMRs.com	Title: <b>SINGLE PORT 10GB COMBO</b>		
	UNLESS OTHERWISE SPECIFIED TOLERANCES: .xxx ±0.010 Dimensions in Inch	P/N:XF10G12C-CT1-4L	REV. A
SHEET 1 OF 2	APP.	DDC	Jul-14-16

### Mechanical Dimensions:

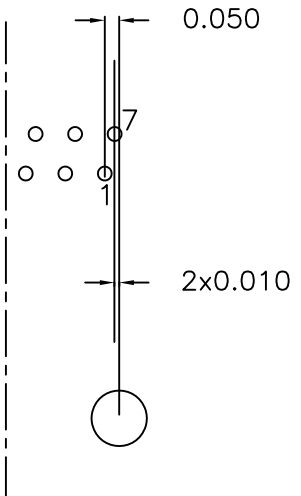
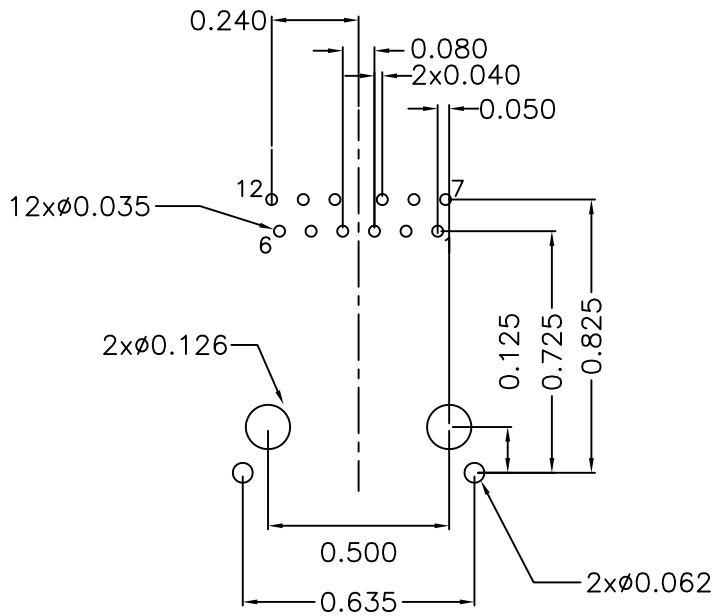


FRONT VIEW



TOP VIEW

### Mounting Pattern:



DOC REV: A/-

**XFMRS Inc**  
www.XFMRS.com

Title: Mechanical Dimensions  
For TAB UP RJ45 10GB COMBO

UNLESS OTHERWISE SPECIFIED  
TOLERANCES:  
.xxx ±0.010  
Dimensions in Inch

P/N:XF10G12C-CT1-4L

REV. A

DWN.

Feng

Jul-14-16

CHK.

YK Liao

Jul-14-16

SHEET 2 OF 2

APP.

DDC

Jul-14-16

**PROPRIETARY:**

Document is the property of XFMRS Group & is not allowed to be duplicated without authorization.