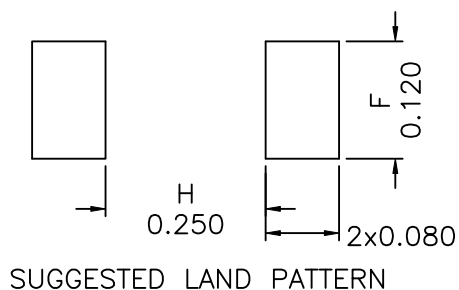
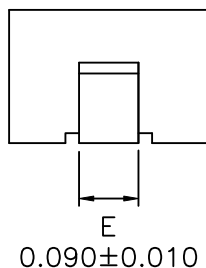
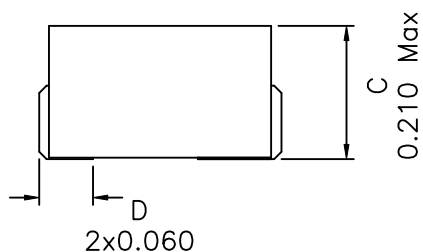
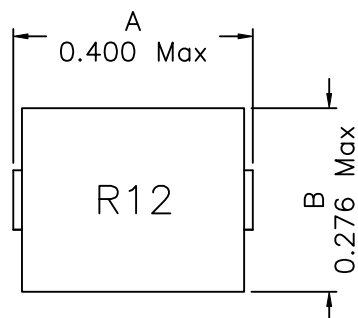
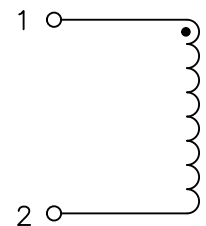


### 1. Dimensions:



### 2. Schematic:



### 3. Electrical Specs:

OCL: 120nH±20% @100KHz, 0.1V  
 Q: 15 Min @1MHz 0.1V  
 Isat: 54Adc (Based on 20% Typ Drop in OCL)  
 Irms: 50Adc (Based on 40°C Temp rise)  
 DCR: 0.420mOhms Max

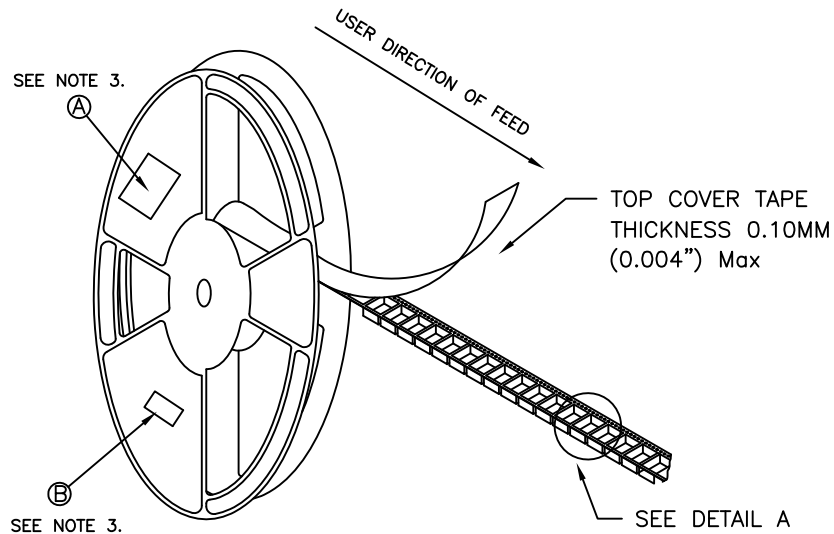
Notes:

1. Solderability: Leads shall meet MIL-STD-202G, Method 208H for solderability.
2. Flammability: UL94V-0
3. ASTM oxygen index: > 28%
4. Insulation System: Class F 155°C. UL file E151556
5. Operating Temperature Range: -40°C to + 125°C
6. Storage Temperature Range: -40°C to +125°C
7. Aqueous wash compatible
8. SMD Lead Coplanarity: ±0.004"(0.102mm)
9. Electrical and mechanical specifications 100% tested
10. RoHS Compliant Component

<b>XFMRs Inc</b> www.XFMRs.com		Title: INDUCTOR	
UNLESS OTHERWISE SPECIFIED TOLERANCES: .XXX ±0.010 Dimensions in INCH		P/N: XF100705-R12M    REV A	
		DWN.	Juan Mao    Mar-31-20
Scale 2.5:1 SHT 1 OF 1		CHK.	YK Liao    Mar-31-20
		APP.	DDC    Mar-31-20

DOC. REV: A/7

# TAPE AND REEL SPECIFICATION:



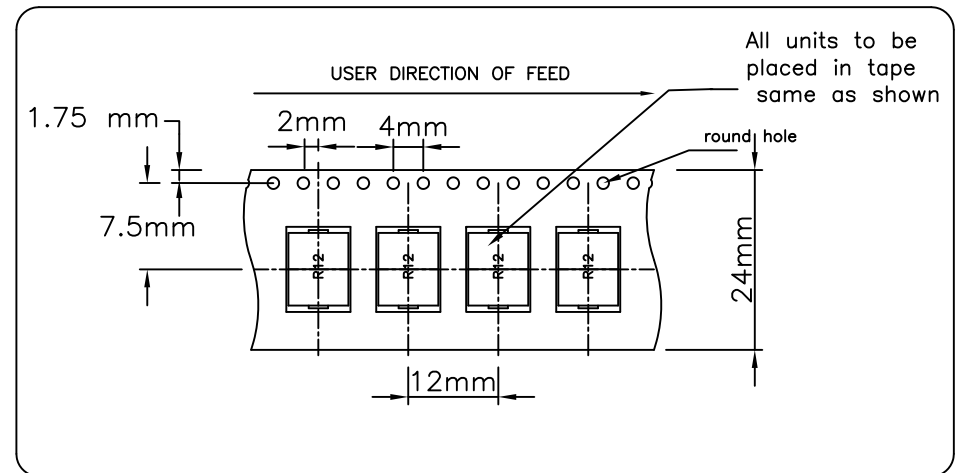
REEL AND TAPE ORIENTATION

**13" REEL DIAMETER**

## NOTES:

- 1) PROCESS IN ACCORDANCE WITH EIA-481-C STANDARDS
  - \* TAPE LEADER DIMENSION 15.30" MIN.
  - \* TAPE TRAILER DIMENSION 6.30" MIN.
- 2) PARTS SHOULD BE PACKAGED IN ACCORDANCE WITH ESD GUIDELINES IN EIA-541.
- 3) REEL LABEL: 'A' \* PART NUMBER
  - \* QUANTITY
  - \* DATE CODE
- 4) 700PCS PER 13" REEL

DETAIL A



DOC REV: A/1

<b>XFMRs Inc</b> www.XFMRs.com	Title: T&R SPEC		
	UNLESS OTHERWISE SPECIFIED	P/N:XF100705-R12M	REV. A
TOLERANCES: .xxs ±xxxxx	DWN.	KONG	Nov-07-07
Dimensions in mm	CHK.	YK Liao	Nov-07-07
SHT 2 OF 2	APP.	MS	Nov-07-07

**PROPRIETARY**

Document is the property of XFMRs Group & is not allowed to be duplicated without authorization.