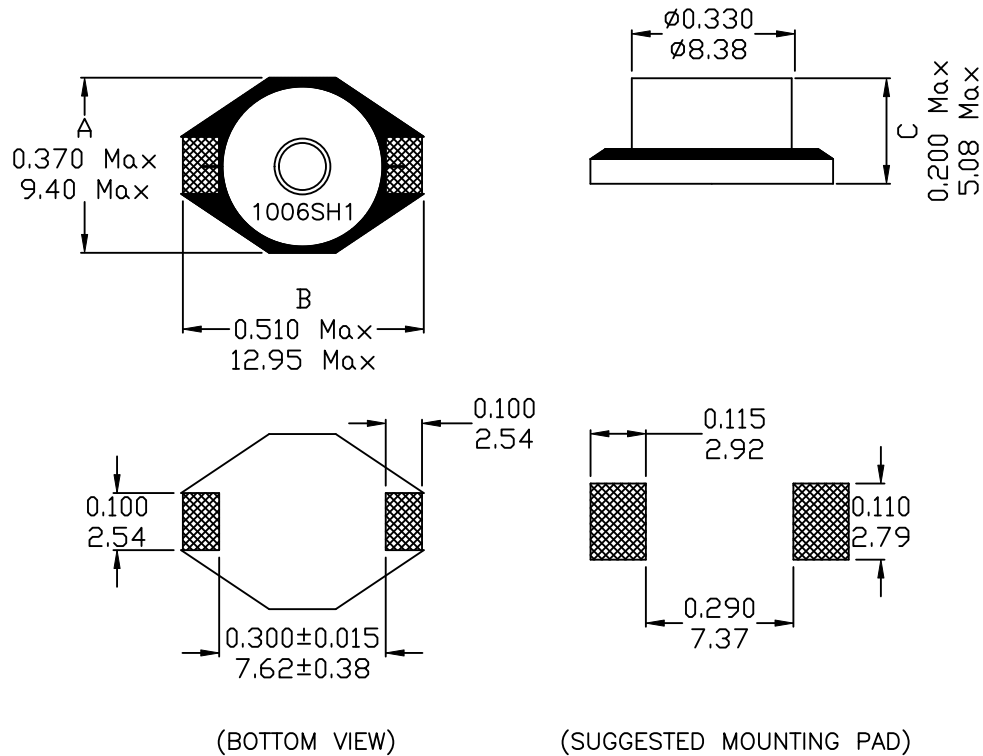
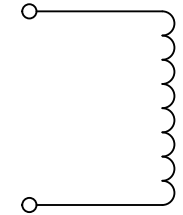


1. Mechanical Dimensions:



2. Schematic:



3. Electrical Specifications: @25°C

OCL: 100uH±20% @100KHz 0.1V, 0Adc
 OCL: 50uH Typ @100KHz 0.1V, 0.80Adc
 DCR: 1.11 Ohms Max
 SRF: 7MHz Typ
 Energy Storage: 15uJ Max

Notes:

1. Solderability: Leads shall meet MIL-STD-202G, Method 208H for solderability.
2. Flammability: UL94V-0
3. ASTM oxygen index: > 28%
4. Insulation System: Class F 155°C. UL file E151556
5. Operating Temperature Range: -40°C to +85°C
6. Storage Temperature Range: -55°C to +125°C
7. Aqueous wash compatible
8. SMD Lead Coplanarity: ±0.004"(0.102mm)
9. Electrical and mechanical specifications 100% tested
10. RoHS Compliant Component
11. Recommended IR Reflow peak temp of 250°C Max.

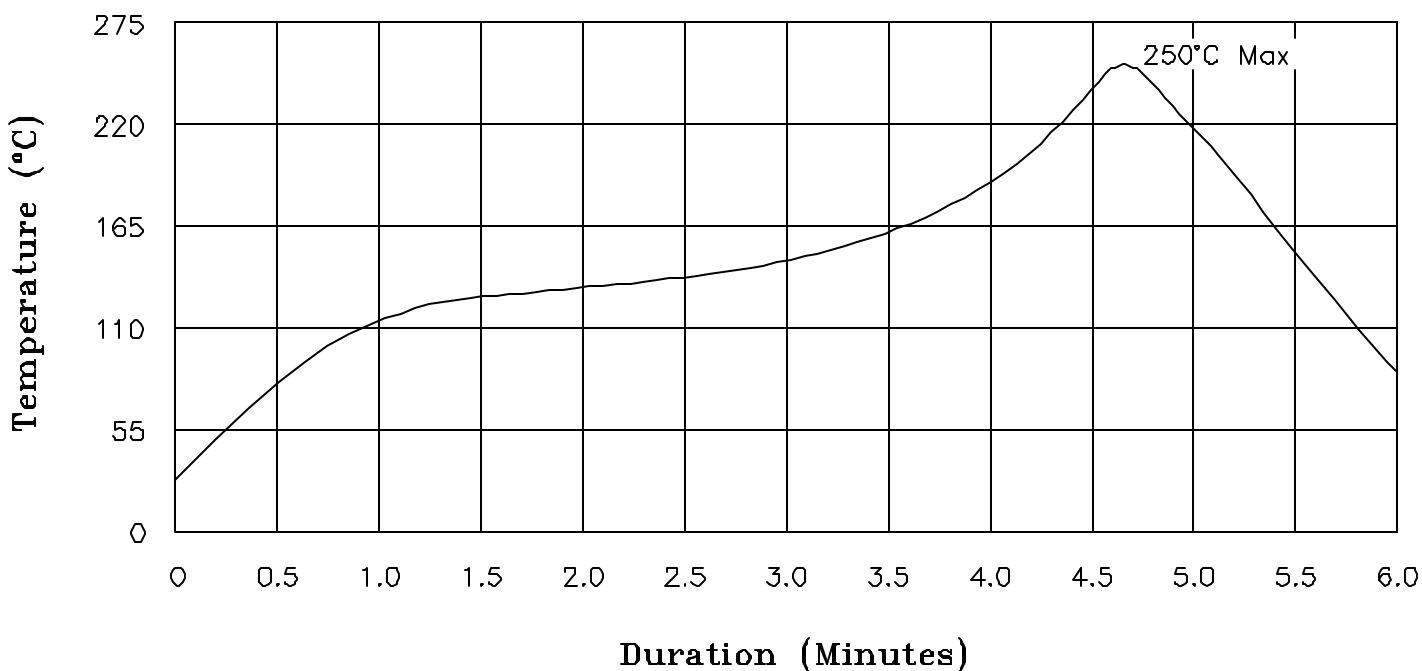
DOC REV: A/8

PROPRIETARY Document is the property of XFMRS Group & is not allowed to be duplicated without authorization.

XFMRS® www.XFMRS.com	Title: XFSH1 SERIES INDUCTORS		
	P/N: XF1006SH1	REV. A	
UNLESS OTHERWISE SPECIFIED TOLERANCES: .xxx ±0.010 INCH .xx ±0.25 mm Dimensions in INCH/mm	DWN.	Yu	Jul-13-21
	CHK.	YK Liao	Jul-13-21
SHEET 1 OF 1	APP.	GL	Jul-13-21

XFMRs

Recommended Infrared Reflow Temperature Profile for Select Parts



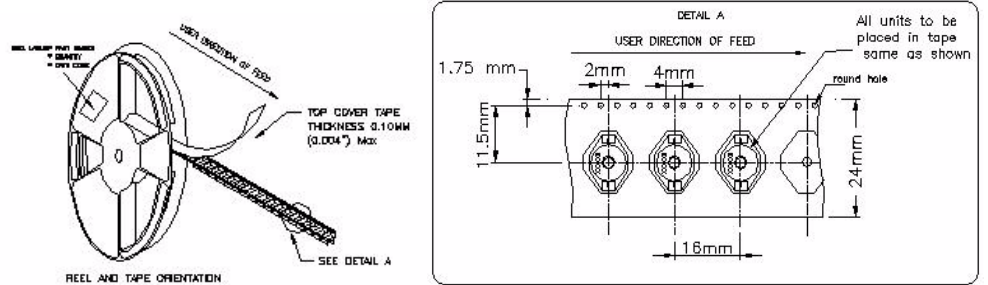
NOTES: Maximum duration at 250°+0/-5° shall be 10-15 seconds.
 Maximum duration above 217° shall be 50-120 seconds.
 ALL Temperatures refer to topside of the package, measured on the package body surface.

XFMRs Inc www.XFMRs.com	Title: IR REFLOW CHART (250°C)		
	UNLESS OTHERWISE SPECIFIED TOLERANCES: N/A		P/N: N/A
SHEET 1 OF 1	DWN.	Juan Mao	Dec-20-06
	CHK.	YK Liao	Dec-20-06
	APP.	Joe Huff	Dec-20-06

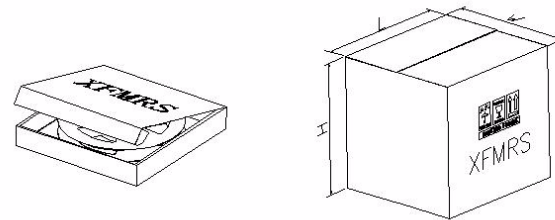
CONCEPT

GENERAL INFORMATION		SUPPLIER INFORMATION	
Part Number:	95-SMD1-00-YK	Company Name:	XFMR5
Part Description:	XFxxxxSH1 series	Address Line 1:	UNIT G-J, 3/F, BLK 1, GOLDEN DRAGON IND CTR
Weight (lbs.):	0.00330 lbs.approx	State / ZIP:	152-160 TAI LIN PAI ROAD
T&R Notes: 1) PROCESS IN ACCORDANCE WITH EIA-481-2 STANDARDS * TAPE LEADER DIMENSION 15.30" MIN. * TAPE TRAILER DIMENSION 6.30" MIN. 2) PARTS SHOULD BE PACKAGED IN ACCORDANCE WITH ESD GUIDELINES IN EIA-541. 3) REEL LABEL: 'A' * PART NUMBER * QUANTITY * DATE CODE		Country:	HONG KONG, CHINA
		Program Manager:	Kitty Lai
		Contact E-mail:	klai@xfmrs.com.hk
		Contact Phone:	852 2423 1689

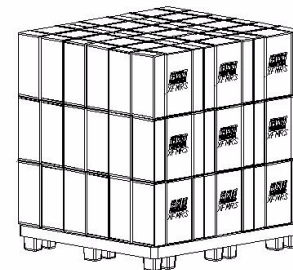
PRIMARY PACKAGING	
Packaging Type:	PS T&R
Dimensions(cm):	L 33.0 W 33.0 H 2.4
Weight:	1.034 lbs. approx
QPC (Parts Per Reel)	650 pcs.
Total Weight w/parts:	3.18 lbs.
Banding / Shrink / Wrap:	BOPP Wrap
Other:	N/A



SECONDARY PACKAGING	
Packaging Type:	Paper Box
Dimensions(cm):	L 40.0 W 36.5 H 24.0
Weight:	1.89 lbs.
Boxes per Unit Load:	3900 pcs.
Total weight w/Parts (lbs):	21.47 lbs.approx
Banding / Shrink / Wrap:	BOPP Wrap / PP Banding
Other:	N/A



SHIPPING INFORMATION	
Packaging Type:	PE Pallet
Unit Load dims(cm):	L 120 W 100 H 145
Weight:	16.72 lbs.
Number of box Loads:	32 box.
Number of Parts:	124800 pcs.
Load weight total (lbs):	703.63 lbs.approx
Banding / Shrink / Wrap:	PE Shrink



PACKAGING APPROVAL					
Internal Document Manufacture / Q.A ./ Process Instructions	Drafted	Checked	Approved	Rev	Date
	Kong	Liao	GL	A/2	Jul-15-21