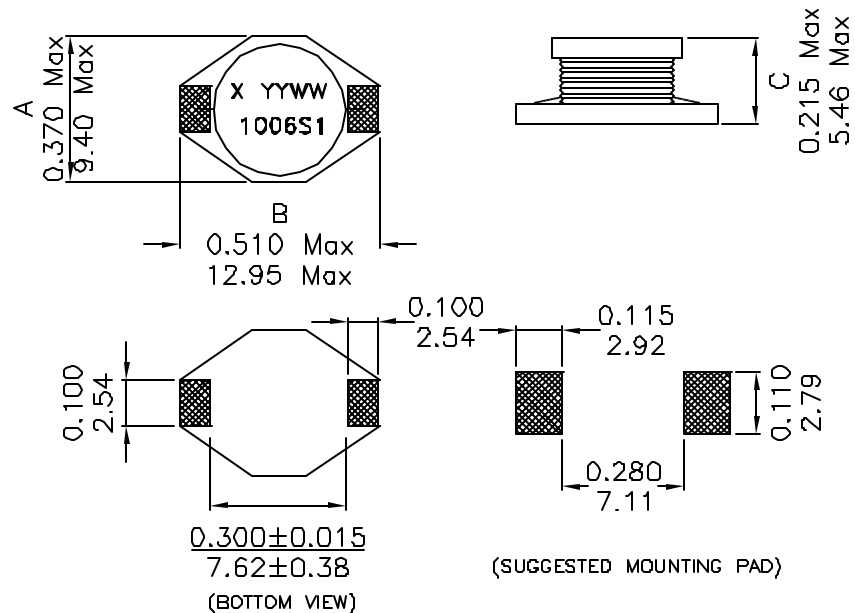


1. Mechanical Dimensions:

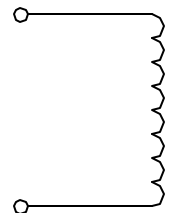


Notes:

1. Solderability: Leads shall meet MIL-STD-202G, Method 208H for solderability.
2. Flammability: UL94V-0
3. ASTM oxygen Index: > 28%
4. Insulation System: Class F 155°C. UL file E151556
5. Operating Temperature Range: All listed parameters are to be within tolerance from -40°C to +85°C
6. Storage Temperature Range: -55°C to +125°C
7. Aqueous wash compatible
8. SMD Lead Coplanarity: ±0.004*(0.102mm)
9. Moisture Sensitivity: Level 0
10. Electrical and mechanical specifications 100% tested
11. RoHS Compliant Component
12. 260°C Reflow Compatible

DOC. REV. B/7

2. Schematic:



3. Electrical Specifications:@25°C

INDUCTANCE: 100uH ±20% @100KHz 1.0V
 ISat: 1.2A_{dc} (10% Drop typ in Inductance)
 Irms: 1.3A (40°C Temp Rise Max)
 DC RESISTANCE: 0.280 OHMS Maximum
 SRF: 9MHz Typ

XFMRS Inc. www.XFMRS.com	Title: XFSDM1 SERIES INDUCTORS		
	UNLESS OTHERWISE SPECIFIED TOLERANCES: .xxx ±0.010 INCH Dimensions in INCH/MM	P/N: XF1006S1	REV. B
SHEET 1 OF 2	APP. 李清儿	Sep-02-08	Sep-02-08