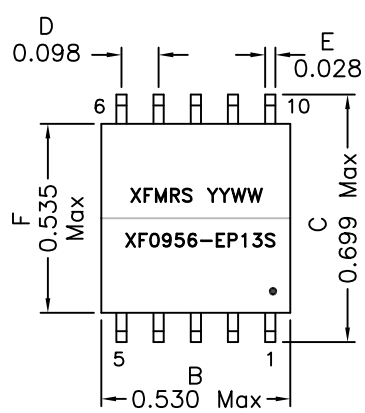
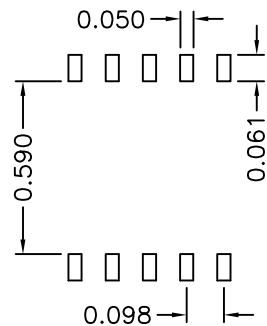


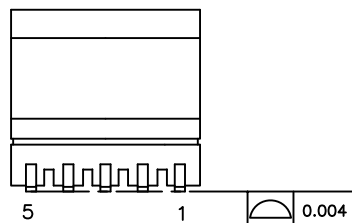
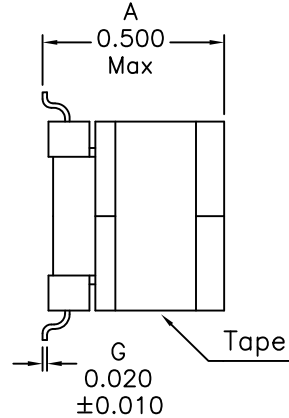
## 1. Mechanical Dimensions:



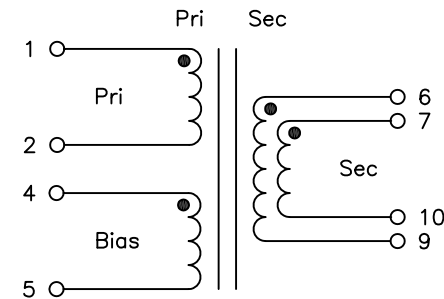
Top view



Suggested PCB Layout



## 2. Schematic:



## 3. Electrical Specifications: @25°C

OCL: Pins 1-2 95uH±15% @250KHz 0.1V, 0Adc

Q: Pins 1-2 120Min @250KHz 0.1V

LL: Pins 1-2 1.80uH Max @100KHz 0.1V, Short Sec

Cw/w: Pins 1-7 85.0pF Max @100KHz 0.1V Short Pri; Sec

DCR: Pins 1-2 115 mOhms Max

Pins 4-5 347 mOhms Max

Pins 6-9 11.0mOhms Max (Short P6+7; P10+9)

Turns Ratio: (1-2):(4-5):(6-9):(7-10)

= 1.000:0.632:0.158:0.158±2%

Hipot: 1500Vac, Pri to Sec

### Notes:

- Solderability: Leads shall meet MIL-STD-202G, Method 208H for solderability.
- Flammability: UL94V-0
- ASTM oxygen index: > 28%
- Insulation System: Class H 180°C. UL file E151556
- Operating Temperature Range: All listed parameters are to be within tolerance from -40°C to +85°C
- Storage Temperature Range: -40°C to +85°C
- Aqueous wash compatible
- SMD Lead Coplanarity: ±0.004"(0.102mm)
- Electrical and mechanical specifications 100% tested
- RoHS Compliant Component
- Recommended IR Reflow peak temp of 250C Max.

DOC. REV: A/2

|   |   |                   |           |
|---|---|-------------------|-----------|
| <b>XFMRs Inc.</b><br><a href="http://www.XFMRs.com">www.XFMRs.com</a> | Title: <b>TRANSFORMER</b>   |                   |           |
|   | UNLESS OTHERWISE SPECIFIED TOLERANCES:<br>.xxx ±0.010<br>Dimensions in Inch | P/N: XF0956-EP13S | REV. A    |
| SHEET 1 OF 1  | DWN.  | Yuan              | Mar-13-13 |
|   | CHK.  | YK Liao           | Mar-13-13 |
|   | APP.  | BSJ               | Mar-13-13 |