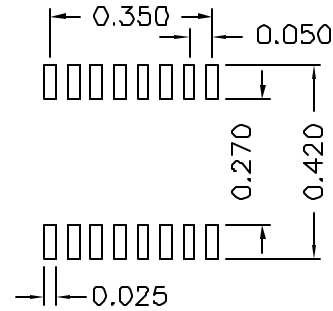
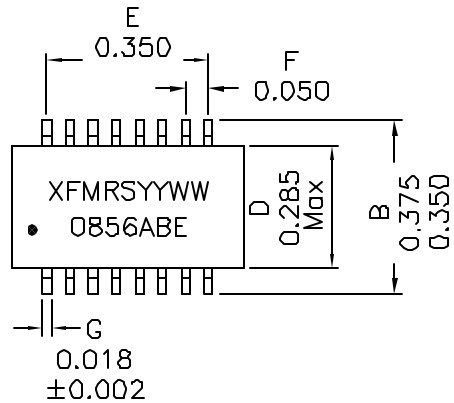
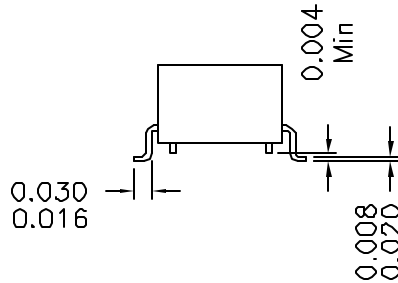
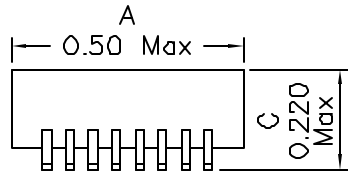
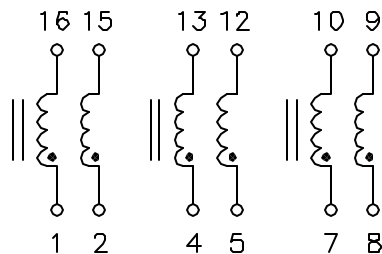


1. Dimensions:



SUGGESTED FOOTPRINT

2. Schematic:



Notes:

1. Solderability: Leads shall meet MIL-STD-202G, Method 208H for solderability.
2. Flammability: ULB4V-0
3. ASTM oxygen index > 28%
4. Insulation System: Class F 155°C. UL file E151555
5. Operating Temperature Range: All listed parameters are to be within tolerance from -40°C to +85°C
6. Storage Temperature Range: -55°C to +125°C
7. Aqueous wash compatible
8. SMD Lead Coplanarity: ±0.004" (0.102mm)
9. Electrical and mechanical specifications 100% tested
10. RoHS Compliant Component
11. Epoxy Backfill to the Top of the Case

DOC. REV: A/4

3. Electrical Specifications: @25°C

Isolation Voltage: 500 VAC

Turns Ratio: 1:1

OCL: 85uH ±20% @100KHz 50mV

Cw/w: 10pF Maximum @100KHz 50mV (PRI/SEC)

Leakage Inductance: 0.1uH Maximum @100KHz 50mV

DC Resistance: 0.17 Ohms Maximum

CM Attenuation:

8dB Typ @100KHz

22dB Typ @1MHz

29dB Typ @10MHz

30dB Typ @30MHz

30dB Typ @50MHz

29dB Typ @100MHz

24dB Typ @300MHz

19dB Typ @500MHz

PROPRIETARY Document is the property of XFMRs Group & is not allowed to be duplicated without authorization.

XFMRs Inc www.XFMRs.com		Title: Epoxy Filled Version COMMON MODE CHOKE		
UNLESS OTHERWISE SPECIFIED TOLERANCES: .xxx ±0.010 Dimensions in Inch		P/N: XF0856ABE		REV. A
		DWN.	Juan Mao	Oct-15-07
SHEET 1 OF 1		CHK.	YK Liao	Oct-15-07
		APP.	Joe Huff	Oct-15-07