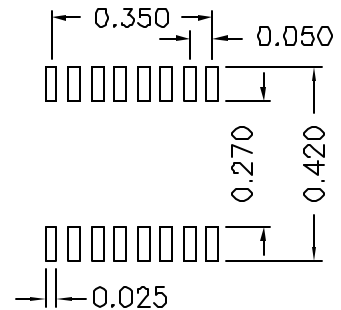
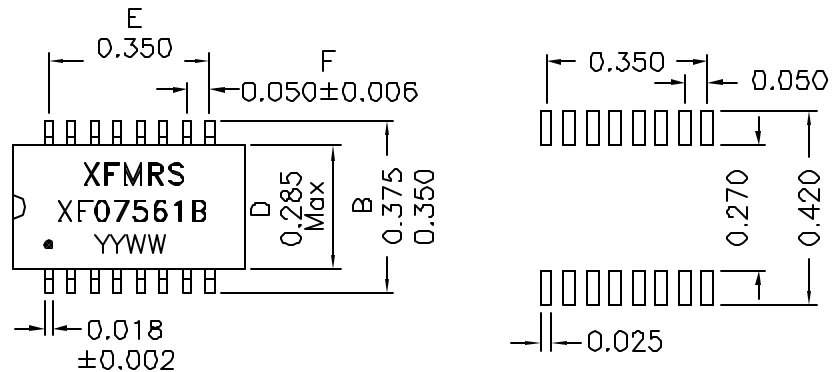
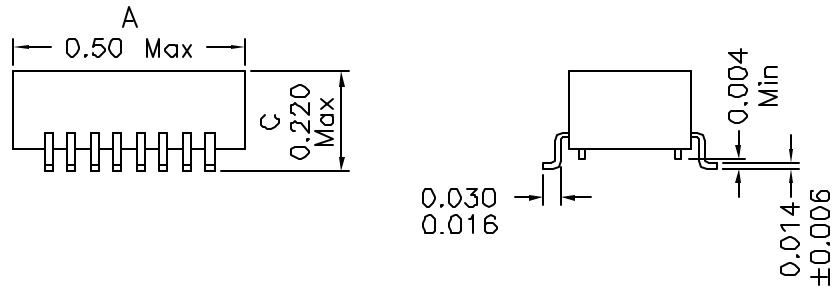
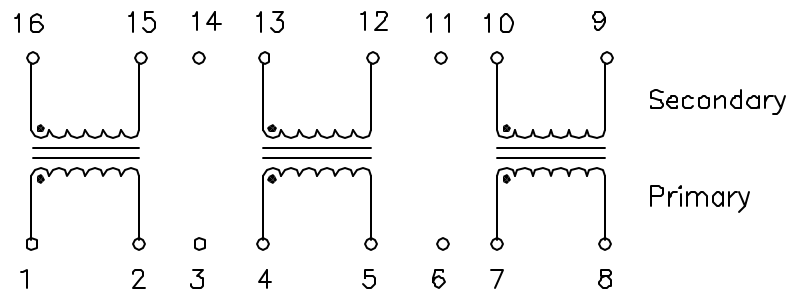


### 1. Mechanical Dimensions:



SUGGESTED FOOTPRINT

### 2. Schematic:



### 3. Electrical Specifications: @25°C

Isolation Voltage: 1500Vrms (PRI to SEC)

Turns Ratio: 1:1 ±2% (PRI:SEC)

Insulation Resistance: 10,000 MOhms

PRI OCL: 75uH±20% @100KHz 50mV

Cw/w: 7pF Max @100KHz 50mV (PRI/SEC)

PRI LL: 0.10uH Max @100KHz 50mV (SEC Shorted)

PRI DCR: 0.17 Ohms Max

Notes:

1. Solderability: Leads shall meet MIL-STD-202G, Method 208H for solderability.
2. Flammability: UL94V-0
3. ASTM oxygen index: > 28%
4. Insulation System: Class F 155°C. UL file E151556
5. Operating Temperature Range: All listed parameters are to be within tolerance from -40°C to +85°C
6. Storage Temperature Range: -55°C to +125°C
7. Aqueous wash compatible
8. SMD Lead Coplanarity: ±0.004\*(0.102mm)
9. Electrical and mechanical specifications 100% tested
10. RoHS Compliant Component

<b>XFMRs Inc</b> www.XFMRs.com		Title: 10 BASE ISOLATION MAGNETICS	
UNLESS OTHERWISE SPECIFIED TOLERANCES: .xxx ±0.010 Dimensions in Inch		P/N: XF07561B	REV. C
		DWN. Juan Mao	Apr-22-06
SCALE 2.5:1 SHT 1 OF 1		CHK. YK Liao	Apr-22-06
		APP. BW	Apr-22-06

DOC REV: C/4

**PROPRIETARY**

Document is the property of XFMRs Group & is not allowed to be duplicated without authorization.