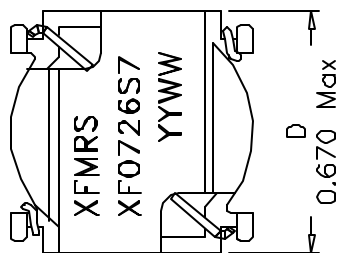
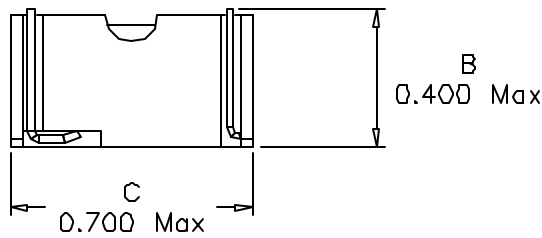
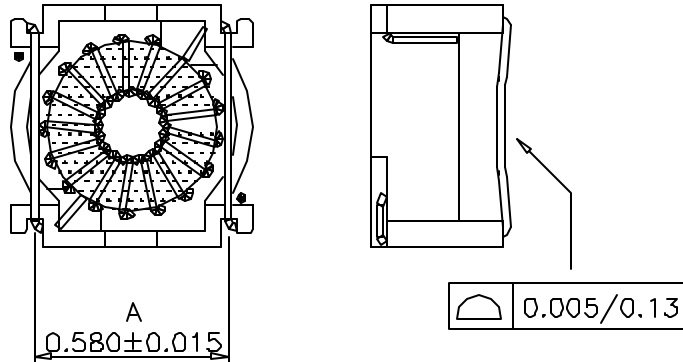


1. Mechanical:



2. Schematic:



3. Electrical Specifications: @25°C

DC Resistance: 0.133 Ohms Max
 OCL: 72.9uH ± 15% @ 100KHz, 0.1V NO DC
 OCL: 50.0uH Typical @ 100KHz, 0.1V 2.6Adc

Notes:

1. Solderability: Leads shall meet MIL-STD-202G, Method 208H for solderability.
2. Flammability: UL94V-0
3. ASTM oxygen index: > 28%
4. Insulation System: Class F 155°C, UL file E151556
5. Operating Temperature Range: All listed parameters are to be within tolerance from -40°C to +85°C
6. Storage Temperature Range: -55°C to +125°C
7. Aqueous wash compatible
8. SMD Lead Coplanarity: ±0.004" (0.102mm)
9. Electrical and mechanical specifications 100% tested
10. RoHS Compliant Component

DOC. REV: A/1

PROPRIETARY

Document is the property of XFMR5 Group & is not allowed to be duplicated without authorization.

XFMR5 INC www.XFMR5.com		Title: Surface Mount Inductor	
UNLESS OTHERWISE SPECIFIED TOLERANCES: .xxx ±0.010 Dimensions in Inch/mm		P/N: XF0726S7	REV. A
		DWN. 李小锋	Oct-23-08
SHEET 1 OF 1		CHK. 廖玉坤	Oct-23-08
		APP. BW	Oct-23-08