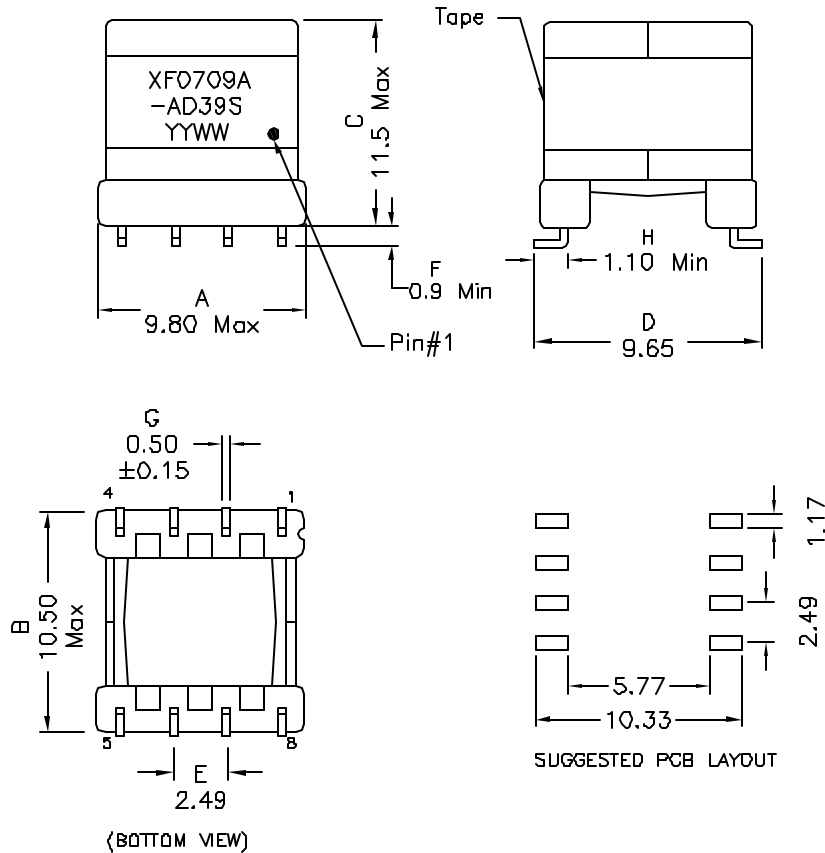


1. Mechanical Dimensions:

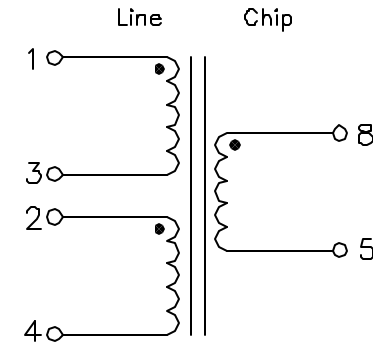


Notes:

1. Solderability: Leads shall meet MIL-STD-202G, Method 20BH for solderability.
2. Flammability: UL94V-0
3. ASTM oxygen Index: > 28%
4. Insulation System: Class F 155°C. UL file E151556
5. Operating Temperature Range: All listed parameters are to be within tolerance from -40°C to +85°C
6. Storage Temperature Range: -55°C to +125°C
7. Aqueous wash compatible
8. SMD Lead Coplanarity: $\pm 0.004^{\circ}$ (0.102mm)
9. Electrical and mechanical specifications 100% tested
10. RoHS Compliant Component
11. Designed to meet UL60950 for Functional Insulation requirements for a working voltage up to 250V.

DOC. REV: A/2

2. Schematic:



3. Electrical Specifications: @25°C

- OCL: Pins 1-4 3mH±6% @10KHz 0.1V, Tie Pins 2-3
 LL: Pins 1-4 30uH Max @100KHz 0.1V, Tie Pins 2-3, Short Chip
 Cww: Pins 1-8 180pF Max @100KHz 0.1V Tie Pins 2-3
 THD: -85dB Max @3KHz, 1Vrms, Line:Chip
 DCR: Pins 1-4 7.20 Ohms Max, Tie Pins 2-3
 Pins 8-5 1.30 Ohms Max
 Turns Ratio: Pins (1-4):(8-5)=4.50:1.00±2%
 Hipot: 1500Vac Pin 1 to 8, Tie 2-3

PROPRIETARY Document is the property of XFMRs Group & is not allowed to be duplicated without authorization.

XFMRs Inc www.XFMRs.com	Title: ADSL TRANSFORMER		
	UNLESS OTHERWISE SPECIFIED TOLERANCES: .xx ±0.25 Dimensions in MM	P/N: XF0709A-AD39S	REV. A
SHEET 1 OF 1	DWN.	Juan Mao	Feb-29-08
	CHK.	YK Liao	Feb-29-08
	APP.	Joe Huff	Feb-29-08