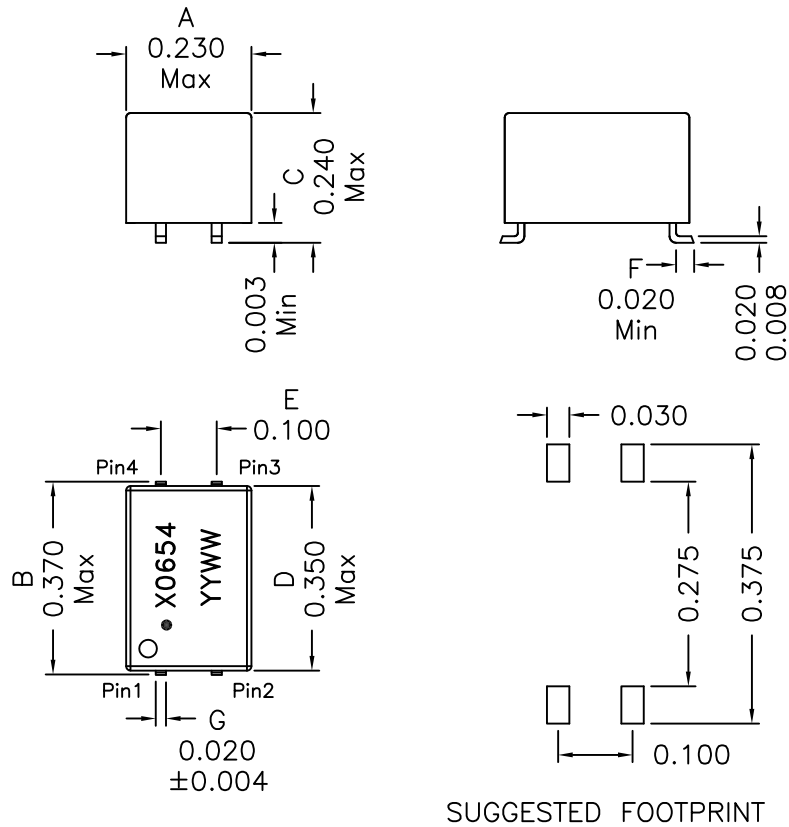
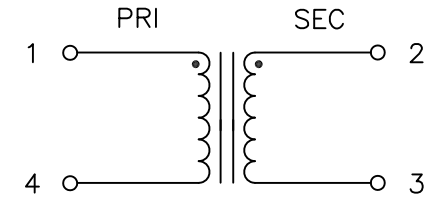


1. Mechanical Dimensions:



2. Schematic:



3. Electrical Specifications: @25°C

OCL: 6500 uH $\pm 50\%$ @10KHz 5mV, Each Wdg

Q: Pins 1-4 5 Min @10KHz 5mV

DCR: 0.95 Ohms Max, Each Wdg

Impedance: 5 kOhms Min @ 0.2-2 MHz

18.4 kOhms Typ @1MHz

HIPOT: 125Vrms, Wdg to Wdg

Rated Voltage: 80Vdc

Rated Current: 400mA

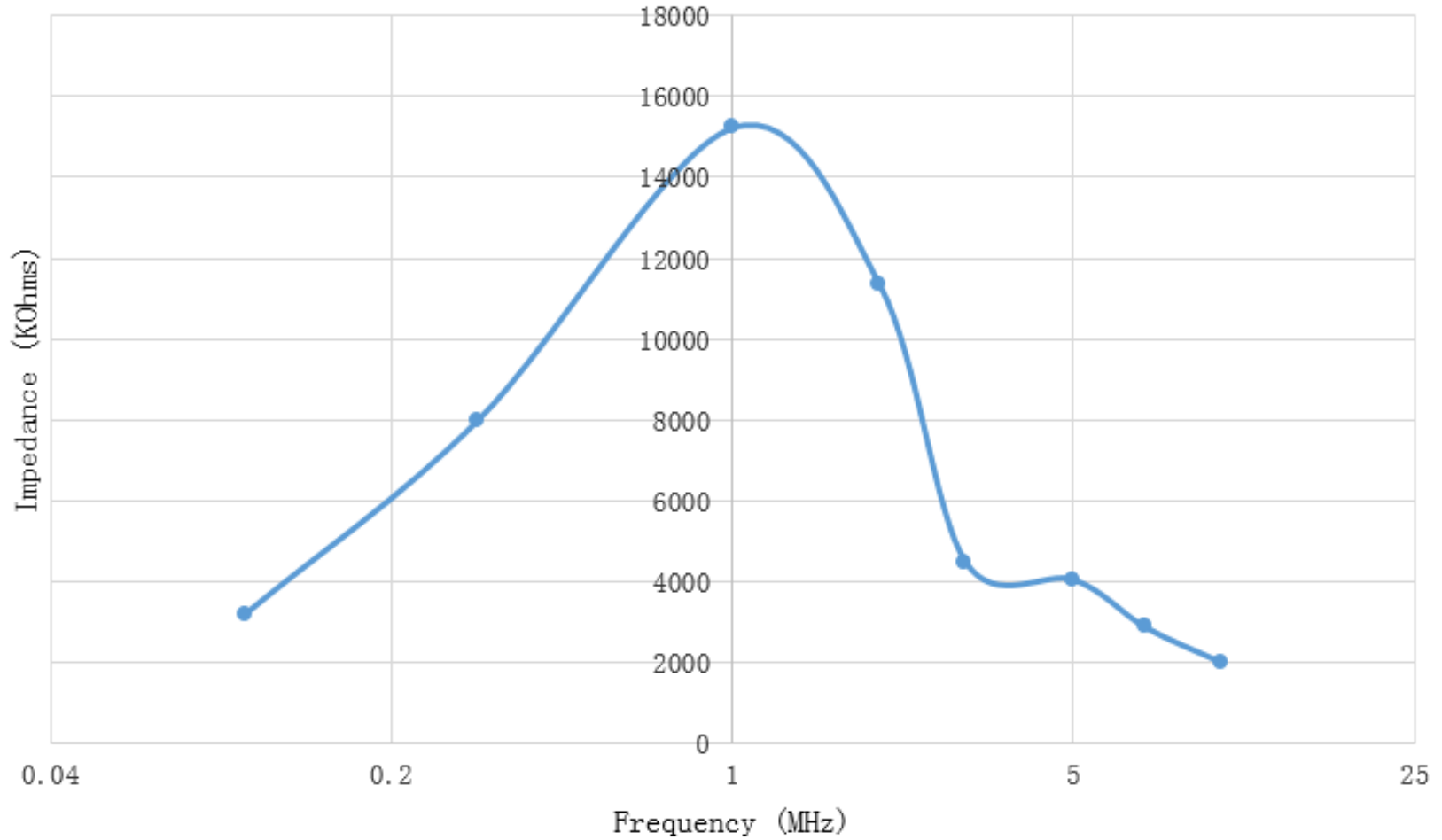
Notes:

1. Solderability: Leads shall meet MIL-STD-202G, Method 208H for solderability.
2. Flammability: UL94V-0
3. ASTM oxygen index: > 28%
4. Insulation System: Class F 155°C. UL file E151556
5. Operating Temperature Range: All listed parameters are to be within tolerance from -40°C to +105°C
6. Storage Temperature Range: -55°C to +125°C
7. Aqueous wash compatible
8. SMD Lead Coplanarity: $\pm 0.004"$ (0.102mm)
9. Electrical and mechanical specifications 100% tested
10. RoHS Compliant Component

DOC. REV: A/1

XFMRs Inc. www.XFMRs.com	Title: TRANSFORMER		
	UNLESS OTHERWISE SPECIFIED TOLERANCES: .xxx ± 0.010 Dimensions in Inch		P/N: XF0654-00SM
SHT 1 OF 2	DWN.	Yuan	Apr-09-17
	CHK.	YK Liao	Apr-09-17
	APP.	GL	Apr-09-17

Impedance Vs Frequency

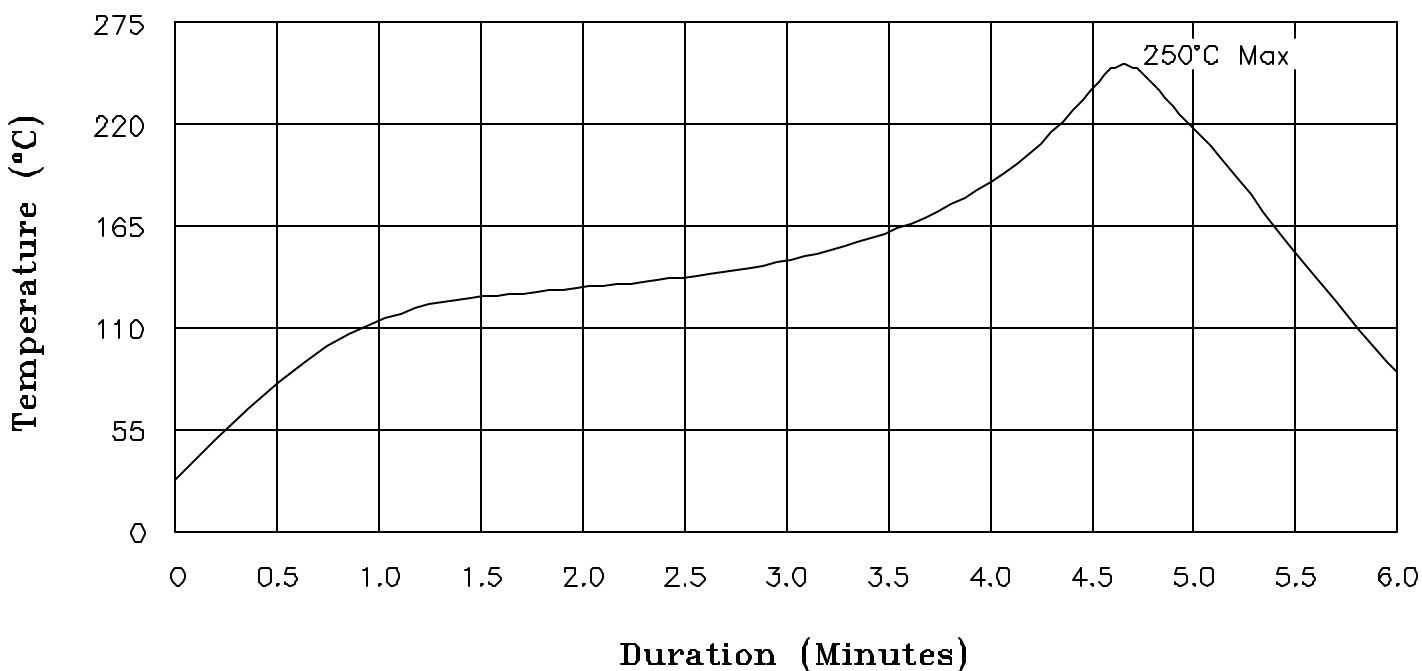


DOC. REV: A/1

XFMRs Inc. www.XFMRS.com UNLESS OTHERWISE SPECIFIED TOLERANCES: .xxx ±0.010 Dimensions in Inch	Title: TRANSFORMER		
	P/N: XF0654-00SM		REV. A
	DWN.	Yuan	Apr-09-17
	CHK.	YK Liao	Apr-09-17
SHT 2 OF 2	APP.	GL	Apr-09-17

XFMRs

Recommended Infrared Reflow Temperature Profile for Select Parts



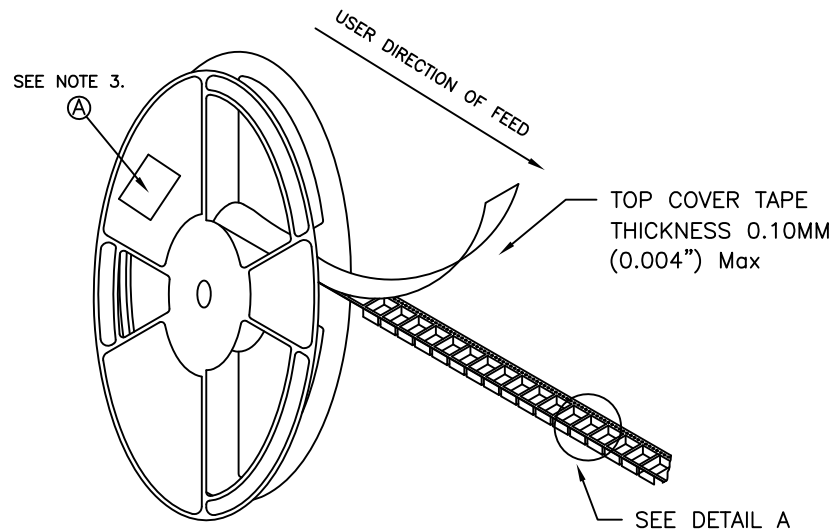
NOTES: Maximum duration at 250°+0/-5° shall be 10-15 seconds.
 Maximum duration above 217° shall be 50-120 seconds.
 ALL Temperatures refer to topside of the package, measured on the package body surface.

XFMRs Inc www.XFMRs.com	Title: IR REFLOW CHART (250°C)			
	UNLESS OTHERWISE SPECIFIED TOLERANCES: N/A		P/N: N/A	REV. A
	DWN.	Juan Mao	Dec-20-06	
	CHK.	YK Liao	Dec-20-06	
SHEET 1 OF 1	APP.	Joe Huff	Dec-20-06	

TAPE AND REEL SPECIFICATION:

NOTES:

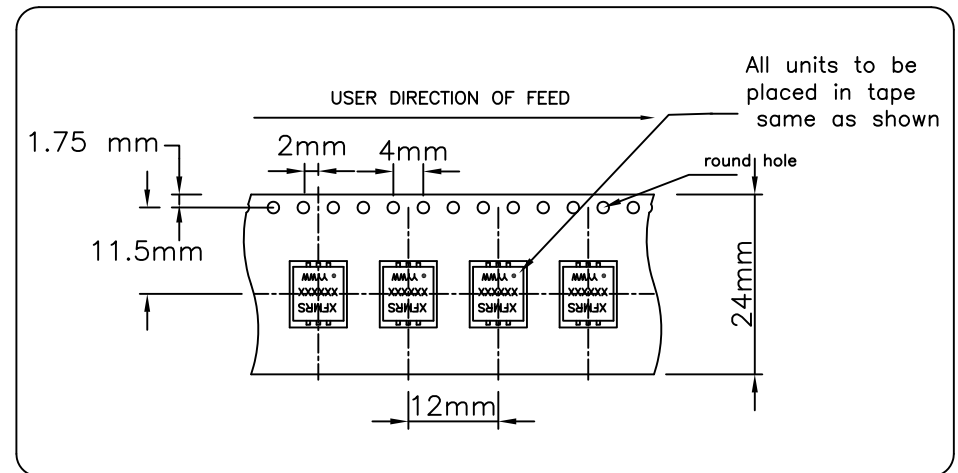
- 1) PROCESS IN ACCORDANCE WITH EIA-481-2 STANDARDS
 - * TAPE LEADER DIMENSION 15.30" MIN.
 - * TAPE TRAILER DIMENSION 6.30" MIN.
- 2) PARTS SHOULD BE PACKAGED IN ACCORDANCE WITH ESD GUIDELINES IN EIA-541.
- 3) REEL LABEL: 'A' * PART NUMBER
 - * QUANTITY
 - * DATE CODE
- 4) 850PCS PER 13" REEL



REEL AND TAPE ORIENTATION

13" REEL DIAMETER

DETAIL A



DOC. REV.A/1

XFMR5 Inc	Title: T&R SPEC	
	UNLESS OTHERWISE SPECIFIED	P/N:95-Q922-LP-WT
	TOLERANCES:	REV: A
	.xxs ±xxxxx	DWN. Kong May-01-17
Dimensions in mm	CHK. YK Liao May-01-17	
SHT 1 OF 1	APP. GL May-01-17	