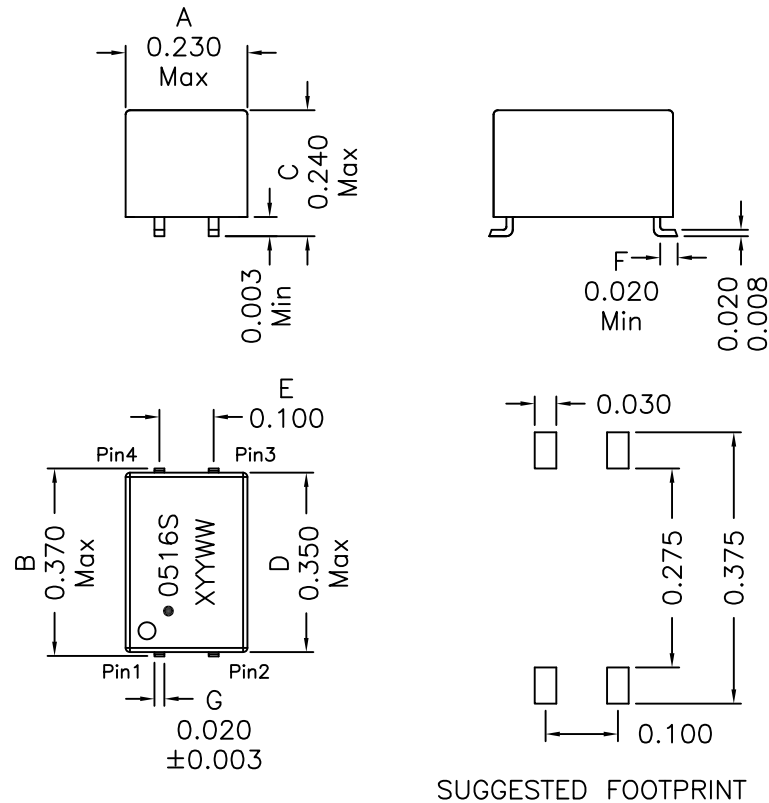
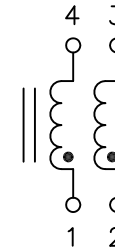


1. Mechanical Dimensions:



2. Schematic:



3. Electrical Specifications: @25°C

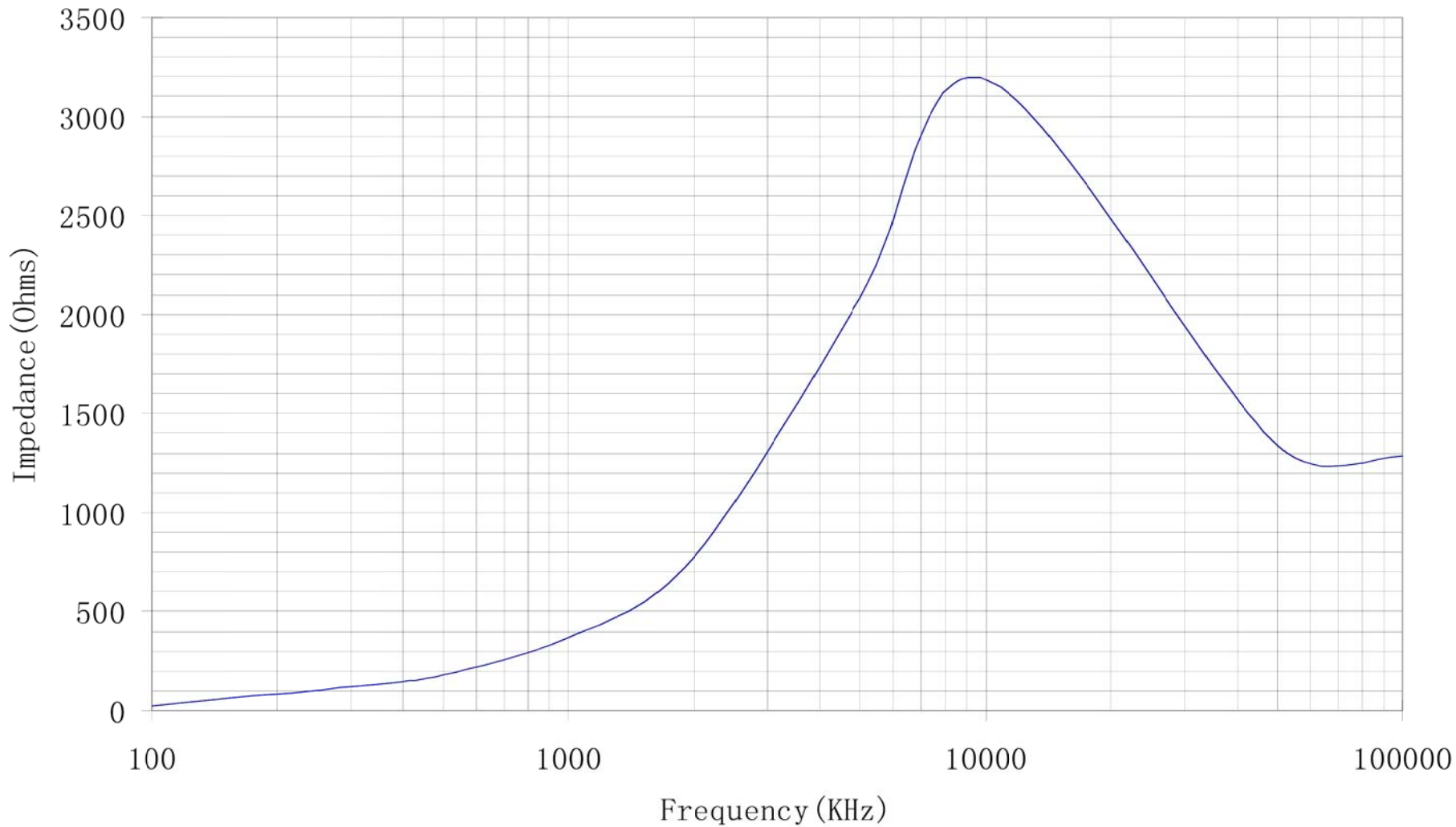
- OCL: 51uH±30% @100KHz, 100mV each wdg
15uH Min @100KHz, 100mV (-40°C to +125°C)
- Q: 5 Min @10KHz, 50mV
- Rated Current: 1000mA Max
- DCR: 0.16 Ohms Max each wdg
- LL: Pins 1-4 2uH Max @100KHz, 100mV
- Cw/w: Pins 1-2 5 pF Max @100KHz, 100mV
- Insulation test voltage: 1000Vac Max
- Rated Voltge: 80Vdc

Notes:

1. Solderability: Leads shall meet MIL-STD-202G, Method 208H for solderability.
2. Flammability: UL94V-0
3. ASTM oxygen index: > 28%
4. Insulation System: Class F 155°C. UL file E151556
5. All listed parameters are to be within tolerance from -40°C to +125°C unless otherwise noted
Ambient temperature: -40°C to +85°C
6. Storage Temperature Range: -20°C to +40°C
7. Aqueous wash compatible
8. SMD Lead Coplanarity: ±0.004"(0.102mm)
9. Electrical and mechanical specifications 100% tested
10. RoHS Compliant Component
11. Recommended IR Reflow peak temp of 250°C Max.

DOC. REV: A/2

XFMRs Inc. www.XFMRS.com	Title: Common Mode Choke		
	UNLESS OTHERWISE SPECIFIED	P/N: XF0516S-00SM	REV. A
TOLERANCES:	DWN.	Xiang	Oct-12-15
Dimensions in Inch	CHK.	YK Liao	Oct-12-15
SHEET 1 OF 2	APP.	DDC	Oct-12-15



DOC. REV: A/2

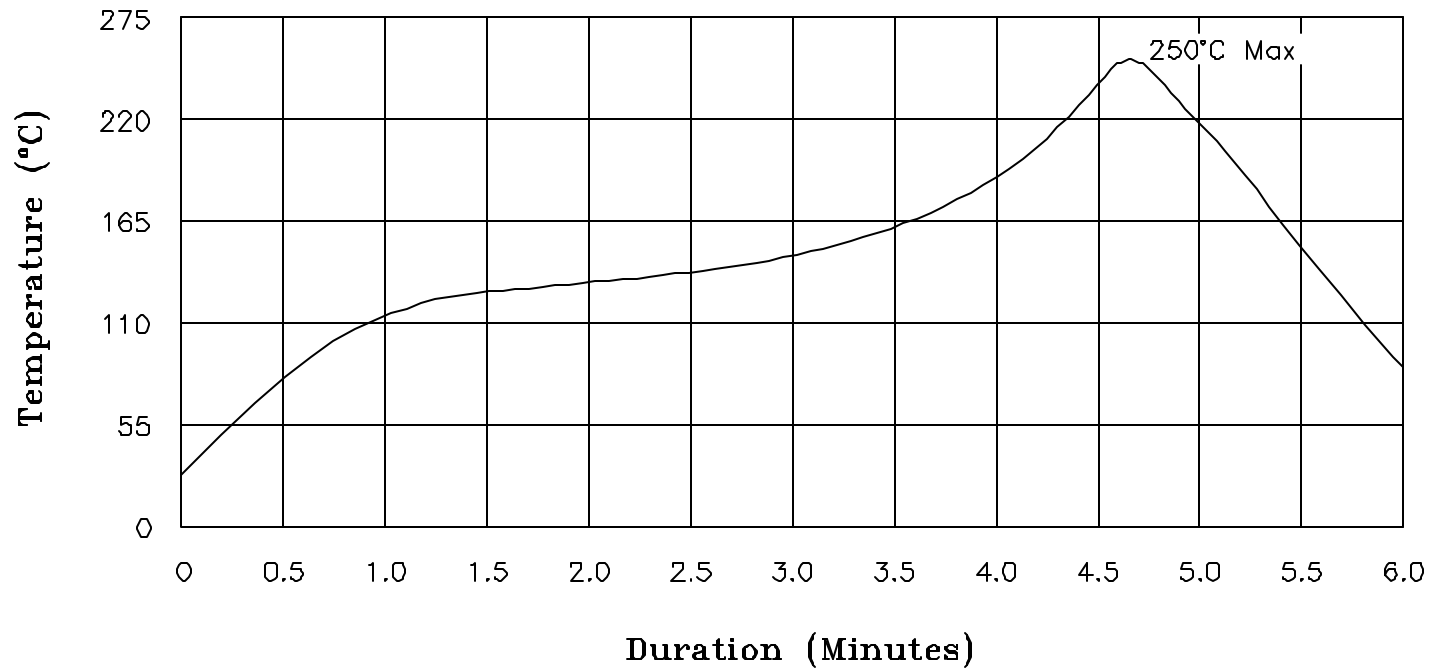
XFMRs Inc. www.XFMRS.com		Title: Common Mode Choke	
UNLESS OTHERWISE SPECIFIED TOLERANCES: .xxx ±0.010 Dimensions in Inch		P/N: XF0516S-00SM REV. A	
		DWN.	Xiang Oct-12-15
SHEET 2 OF 2		CHK.	YK Liao Oct-12-15
		APP.	DDC Oct-12-15

PROPRIETARY

Document is the property of XFMRs Group & is not allowed to be duplicated without authorization.

XFMRs

Recommended Infrared Reflow Temperature Profile for Select Parts



NOTES: Maximum duration at 250°+0/-5° shall be 10-15 seconds.
 Maximum duration above 217° shall be 50-120 seconds.
 ALL Temperatures refer to topside of the package, measured on the package body surface.

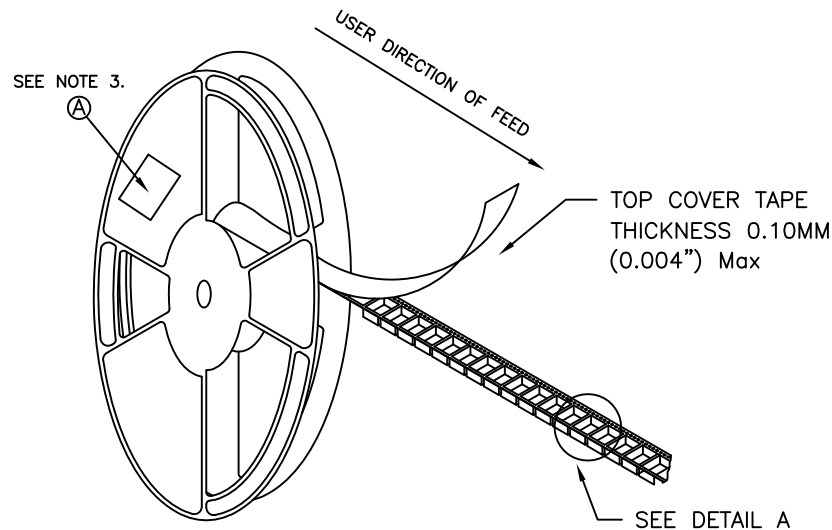
XFMRs Inc www.XFMRs.com	Title: IR REFLOW CHART (250°C)		
	UNLESS OTHERWISE SPECIFIED TOLERANCES: N/A		P/N: N/A
	DWN.	Juan Mao	Dec-20-06
	CHK.	YK Liao	Dec-20-06
SHEET 1 OF 1	APP.	Joe Huff	Dec-20-06

95-Q922-LP-WT

TAPE AND REEL SPECIFICATION:

NOTES:

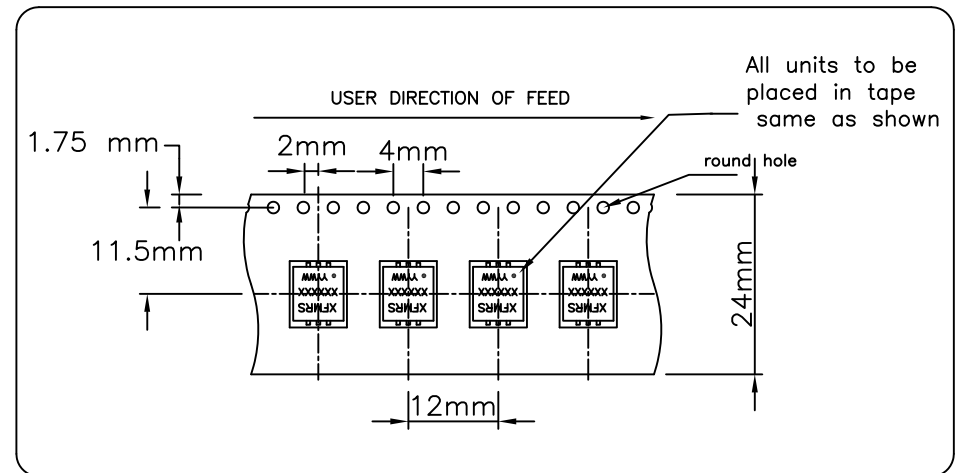
- 1) PROCESS IN ACCORDANCE WITH EIA-481-2 STANDARDS
 - * TAPE LEADER DIMENSION 15.30" MIN.
 - * TAPE TRAILER DIMENSION 6.30" MIN.
- 2) PARTS SHOULD BE PACKAGED IN ACCORDANCE WITH ESD GUIDELINES IN EIA-541.
- 3) REEL LABEL: 'A' * PART NUMBER
 - * QUANTITY
 - * DATE CODE
- 4) 850PCS PER 13" REEL



REEL AND TAPE ORIENTATION

13" REEL DIAMETER

DETAIL A



DOC. REV.A/1

XFMRs Inc	Title: T&R SPEC	
	UNLESS OTHERWISE SPECIFIED	P/N:95-Q922-LP-WT
	TOLERANCES:	REV: A
	.xxs ±xxxxx	DWN. Kong May-01-17
Dimensions in mm	CHK. YK Liao May-01-17	
SHT 1 OF 1	APP. GL May-01-17	

PROPRIETARY

Document is the property of XFMRs Group & is not allowed to be duplicated without authorization.