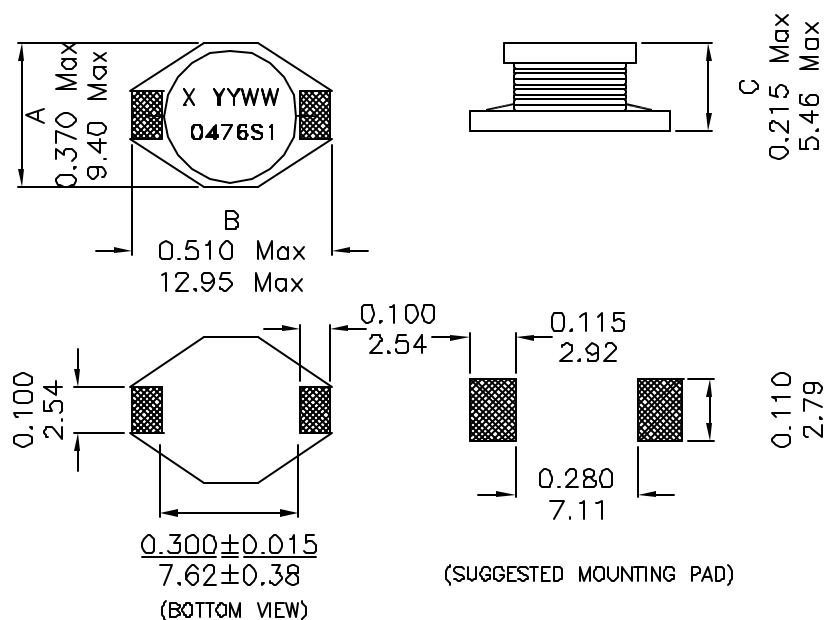
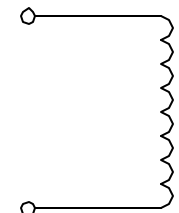


## 1. Mechanical Dimensions:



## 2. Schematic:



## 3. Electrical Specifications: @25°C

OCL: 47uH±20% @100KHz 0.1V

IDC: 1.6A<sub>dc</sub> (10% Max drop in OCL)

DCR: 0.140 Ohms Max

### Notes:

1. Solderability: Leads shall meet MIL-STD-202G, Method 208H for solderability.
2. Flammability: UL94V-0
3. ASTM oxygen Index: > 28%
4. Insulation System: Class F 155°C. UL file E151556
5. Operating Temperature Range: All listed parameters are to be within tolerance from -40°C to +85°C
6. Storage Temperature Range: -55°C to +125°C
7. Aqueous wash compatible
8. SMD Lead Coplanarity: ±0.004"(0.102mm)
9. Moisture Sensitivity: Level 3
10. Electrical and mechanical specifications 100% tested
11. RoHS Compliant Component
12. 260°C Reflow Compatible

DOC REV: A/5

<b>XFMRs Inc</b> www.XFMRS.com		Title: XFMSMD1 SERIES INDUCTORS	
UNLESS OTHERWISE SPECIFIED TOLERANCES: .xxx ±0.010 INCH Dimensions in INCH/MM		P/N: XF0476S1	REV. A
		DWN.	廖玉坤 Jan-12-06
		CHK.	李清儿 Jan-12-06
SHEET 1 OF 1		APP.	MS Jan-12-06