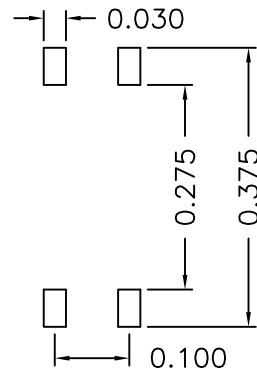
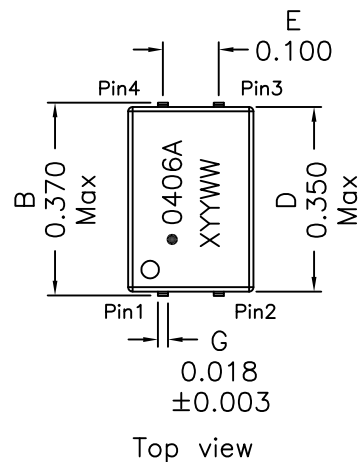
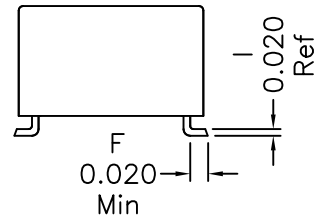
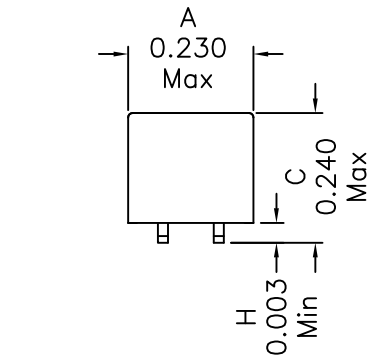
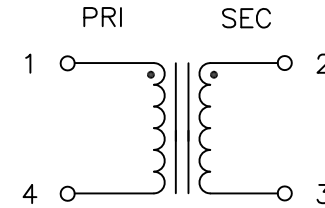


1. Mechanical Dimensions:



SUGGESTED FOOTPRINT

2. Schematic:



3. Electrical Specifications: @25°C

DCR: 0.120 Ohms Max, Each Wdg

URNS RATIO: Pins (1-4):(2-3)=1:1

Impedance: 700 Ohms Min @100MHz

HIPOT: 125Vrms, Wdg to Wdg

Rated Voltage: 50Vdc

Rated Current: 1.5A

Q: tbd Min @10KHz, 50mV

Notes:

1. Solderability: Leads shall meet MIL-STD-202G, Method 208H for solderability.
2. Flammability: UL94V-0
3. ASTM oxygen index: > 28%
4. Insulation System: Class F 155°C. UL file E151556
5. Operating Temperature Range: All listed parameters are to be within tolerance from -40°C to +85°C
6. Storage Temperature Range: -55°C to +125°C
7. Aqueous wash compatible
8. SMD Lead Coplanarity: ±0.004"(0.102mm)
9. Electrical and mechanical specifications 100% tested
10. RoHS Compliant Component

DOC. REV: B/1

XFMR Inc www.XFMRS.com	Title: TRANSFORMER		
	UNLESS OTHERWISE SPECIFIED TOLERANCES: .xxx ±0.010 Dimensions in Inch		P/N: XF0406A-00SM REV. B
SHEET 1 OF 1	DWN.	Yuan	Apr-16-15
	CHK.	YK Liao	Apr-16-15
	APP.	BW	Apr-16-15

PROPRIETARY

Document is the property of XFMR Group & is not allowed to be duplicated without authorization.