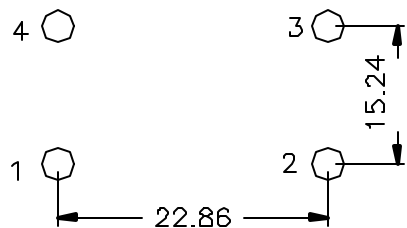
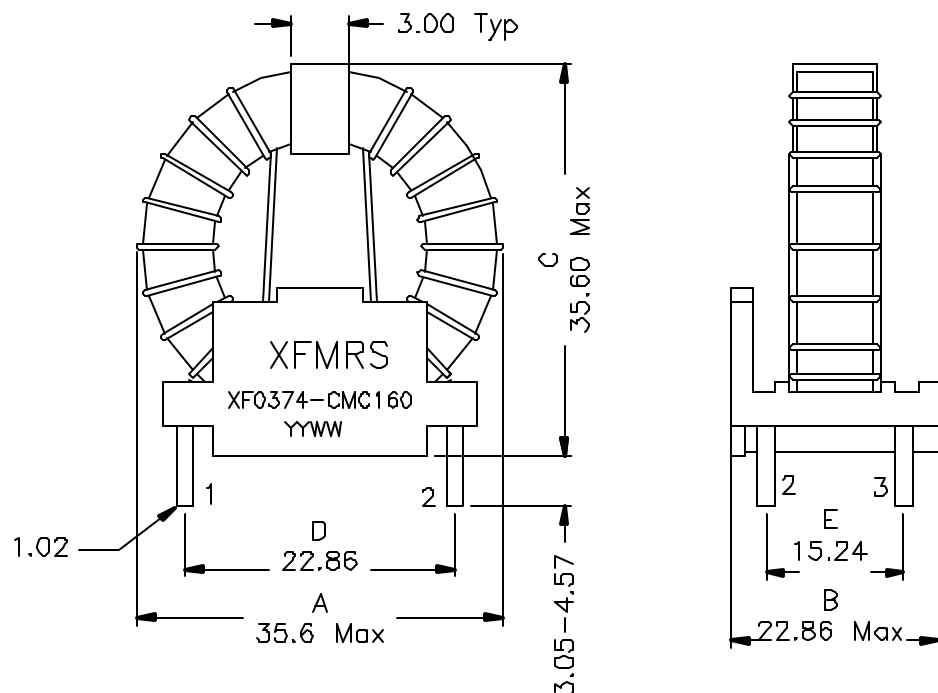
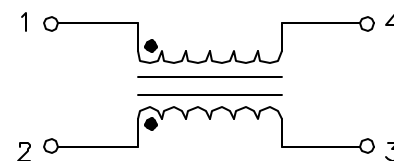


1. Mechanical:



SUGGESTED FOOTPRINT

2. Schematic:



3. Electrical

OCL: EACH WDG, 3.7mH Min @1KHz, 0.1V

DCR: EACH WDG, 0.080 OHMS MAX

LEAKAGE L: 60uH Min 100KHz, 0.1V

SRF: 400KHz Typical

Current Rating: 3.2Amps

ISOLATION: 1250VAC

Notes:

1. Solderability Leads shall meet MIL-STD-202, Method 208D for solderability.
2. Flammability: UL94V-0
3. ASTM oxygen index: > 28%
4. Temperature rating, 155°C. UL file E151556
5. Operating Temperature Range: -40°C to +85°C

DOC REV.: A/1

XFMRS Inc	Title: Camman Made Choke		
	UNLESS OTHERWISE SPECIFIED	P/N: XF0374-CMC160	REV. A
TOLERANCES: .xx ±0.20	DWN.	廖玉坤	May-21-01
Dimensions in mm	CHK.	李清儿	May-21-01
SHEET 1 OF 1	APP.	BW	May-21-01