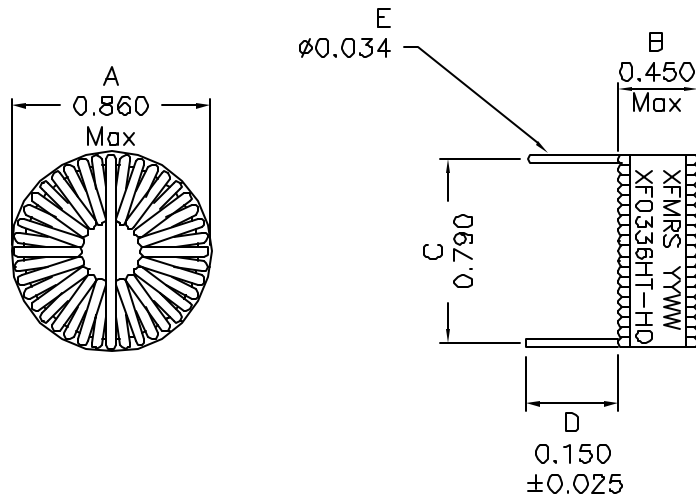
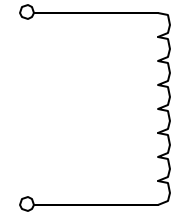


1. Mechanical Dimensions:



2. Schematic:



3. Electrical Specifications:

Inductance: 33.0uH±15% @1KHz 1.0V, 0Adc
 24.0uH±15% @1KHz 1.0V, 6.1Adc

Current Rating: 6.1Adc

DC Resistance: 0.031 Ohms Max

SRF: tbdKHz Min

Q: tbd Min @1KHz, 1.0V

Notes:

1. Solderability: Leads shall meet MIL-STD-202, Method 208D for solderability.
2. Flammability: UL94V-0
3. ASTM oxygen index: > 28%
4. Insulation System: Class F 155°C. UL file E151556
5. Operating Temperature Range: All listed parameters are to be within tolerance from -55°C to +125°C
6. Storage Temperature Range: -55°C to +125°C
7. Aqueous wash compatible
8. Electrical and mechanical specifications 100% tested
9. RoHS Compliant Component
10. Tinned length is the same as the lead length.

DOC REV: A/1

PROPRIETARY Document is the property of XFMRS Group & is not allowed to be duplicated without authorization.

XFMRS Inc www.XFMRS.com	Title: Toroid Inductor		
UNLESS OTHERWISE SPECIFIED TOLERANCES: .xxx ±0.010 Dimensions in INCH	P/N: XF0336HT-HO		REV. A
	DWN.	Xianyì	Oct-22-08
SHEET 1 OF 1	CHK.	YK Liao	Oct-22-08
	APP.	BW	Oct-22-08