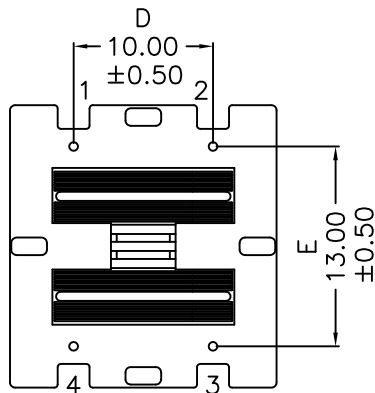
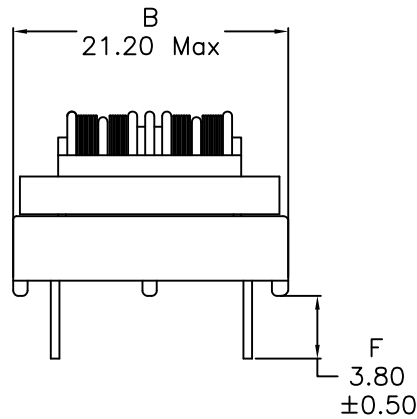
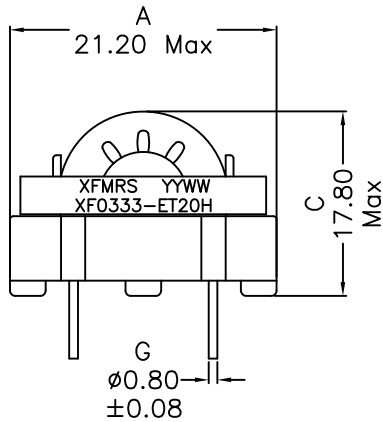


1. Mechanical Dimensions:

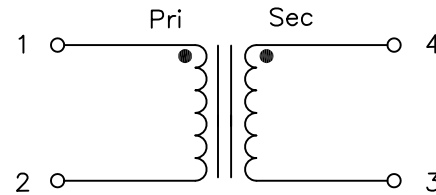


(BOTTOM VIEW)

Notes:

1. Solderability: Leads shall meet MIL-STD-202G, Method 208H for solderability.
2. Flammability: UL94V-0
3. ASTM oxygen index: > 28%
4. Insulation System: Class F 155°C. UL file E151556
5. All listed parameters are to be within tolerance from -40°C to +125°C unless otherwise noted.
6. Storage Temperature Range: -20°C to +60°C
7. Aqueous wash compatible
8. Electrical and mechanical specifications 100% tested
9. RoHS Compliant Component

2. Schematic:



3. Electrical Specifications: @25°C

- OCL: 33mH Min @10KHz 0.1V, Each Wdg (25°C to 85°C)
- 8.0mH Min @10KHz 0.1V, Each Wdg (-40°C to 25°C)
- Q: Pins 1-2 8 Min @10KHz 0.1V
- LL: Pins 1-2 650uH Max @100KHz 0.1V Short Sec
- Cw/w: Pins 1-4 10pF Max @100KHz 0.1V
- DCR: 2.00 Ohms ±15% Each Wdg
- Rated current: 0.3A Max
- Rated Voltage: 250Vac Max 50Hz
- Turns Ratio: (1-2):(4-3)=1.000:1.000±2%
- Isolation test Voltage: 2000Vac, Pri to Sec

DOC. REV: A/1

XFMRs Inc www.XFMRs.com	Title: Common Mode Choke		
	UNLESS OTHERWISE SPECIFIED TOLERANCES: .xx ±0.25 Dimensions in mm	P/N: XF0333-ET20H	REV. A
SHEET 1 OF 1	APP.	Yuan YK Liao	Sep-16-13

PROPRIETARY

Document is the property of XFMRs Group & is not allowed to be duplicated without authorization.