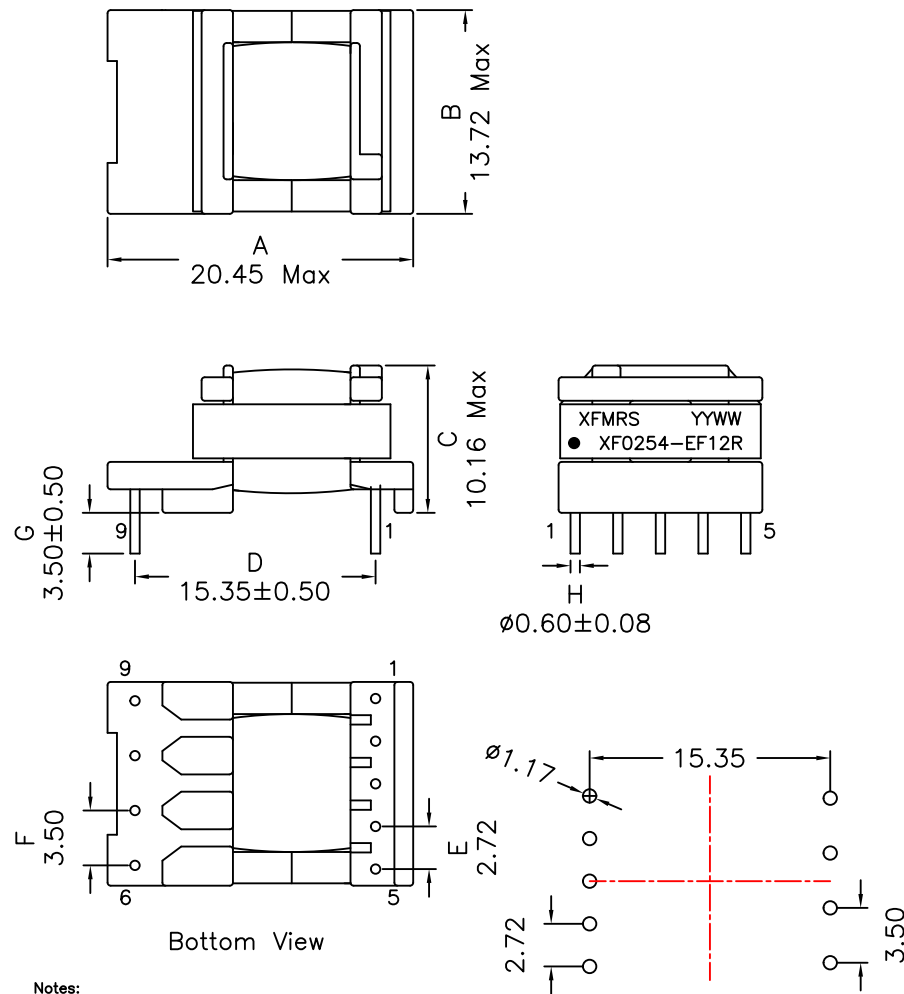


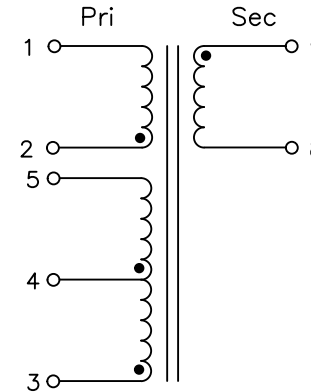
### 1. Mechanical Dimensions:



**Notes:**

1. Solderability: Leads shall meet MIL-STD-202G, Method 208H for solderability.
2. Flammability: UL94V-0
3. ASTM oxygen index: > 28%
4. Insulation System: Class B 130°C. UL file E151556
5. Operating Temperature Range: -40°C to +125°C
6. Storage Temperature Range: -55°C to +125°C
7. Aqueous wash compatible
8. Electrical and mechanical specifications 100% tested
9. RoHS Compliant Component

### 2. Schematic:



### 3. Electrical Specifications: @25°C

- OCL: Pins 2-1 2500uH±10% @10KHz, 0.1V
- Q: Pins 2-1 15 Min @10KHz, 0.1V
- LL: Pins 2-1 60uH Max @100KHz 0.1V, Short all else
- CW/w: Pins 2-9 35pF Max @100KHz 0.1V Short Pri; Sec
- DCR: Pins 2-1 6.59 Ohms Max @20°C
- Pins 3-4 0.18 Ohms Max @20°C
- Pins 4-5 0.105 Ohms Max @20°C
- Pins 3-5 0.280 Ohms Max @20°C
- Pins 9-8 0.270 Ohms Max @20°C
- Turns Ratio: (2-1):(9-8):(3-4):(4-5)=  
1.000:0.127:0.082:0.045±2%
- Hipot: 3750Vac, Pri to Sec, @1mA, 1Sec
- 3750Vac, P9+8 to Core, @1mA, 1Sec
- SRF: Pins 2-1 350KHz Min

PCB layout

DOC. REV: A/1

<b>XFMR5®</b> <a href="http://www.XFMR5.com">www.XFMR5.com</a> UNLESS OTHERWISE SPECIFIED TOLERANCES: .xx ±0.25 Dimensions in MM SHEET 1 OF 1	Title: <b>TRANSFORMER</b>		
	P/N: XF0254-EF12R		REV. A
	DWN.	Huo	Sep-18-19
	CHK.	YK Liao	Sep-18-19
APP.	DDC	Sep-18-19	