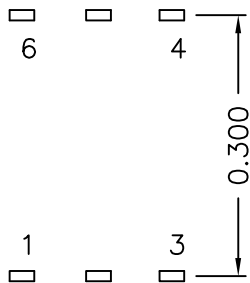
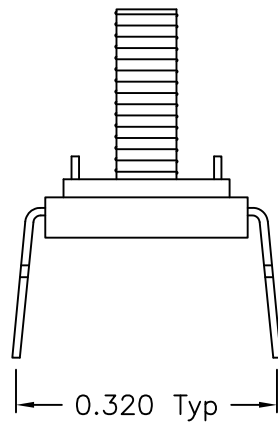
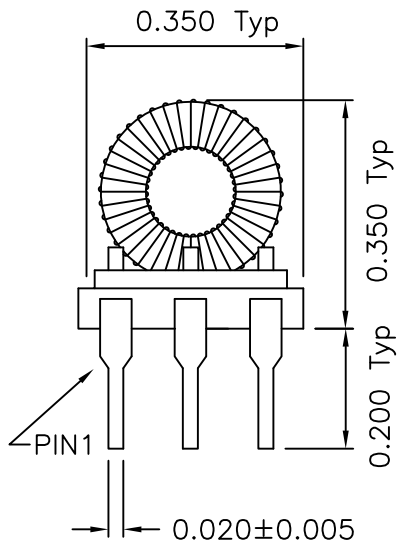


1. Mechanical Dimensions:



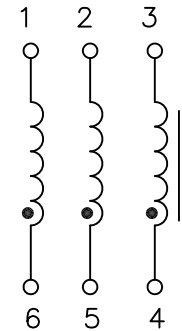
SUGGESTED PCB LAYOUT

BASE: K-LEADER BA-022

PRELIMINARY

DOC. REV: A/-

2. Schematic:



3. Electrical Specifications:

- OCL: Each Winding 24uH Typ @100KHz 50mV
- DCR: Each Winding 45mOhms Max.
- Max. Current: 500mA
- HIPOT: 300Vrms

Notes:

1. Solderability: Leads shall meet MIL-STD-202, Method 208D for solderability.
2. Flammability: UL94V-0
3. ASTM oxygen index: > 28%
4. Insulation System: Class F 155°C. UL file E151556
5. Operating Temperature Range: All listed parameters are to be within tolerance from -40°C to +85°C
6. Storage Temperature Range: -55°C to +125°C
7. Aqueous wash compatible

XFMRs Inc	Title: Data Line EMI Filters		
	UNLESS OTHERWISE SPECIFIED TOLERANCES: .xxx ±0.010 Dimensions in Inch	P/N: XF0246-3HMCMC	REV. A
	DWN.	BW	Mar-08-16
	CHK.	JOE HUFF	Mar-08-16
SCALE 4:1 SHT 1 OF 1	APP.	GL	Mar-08-16