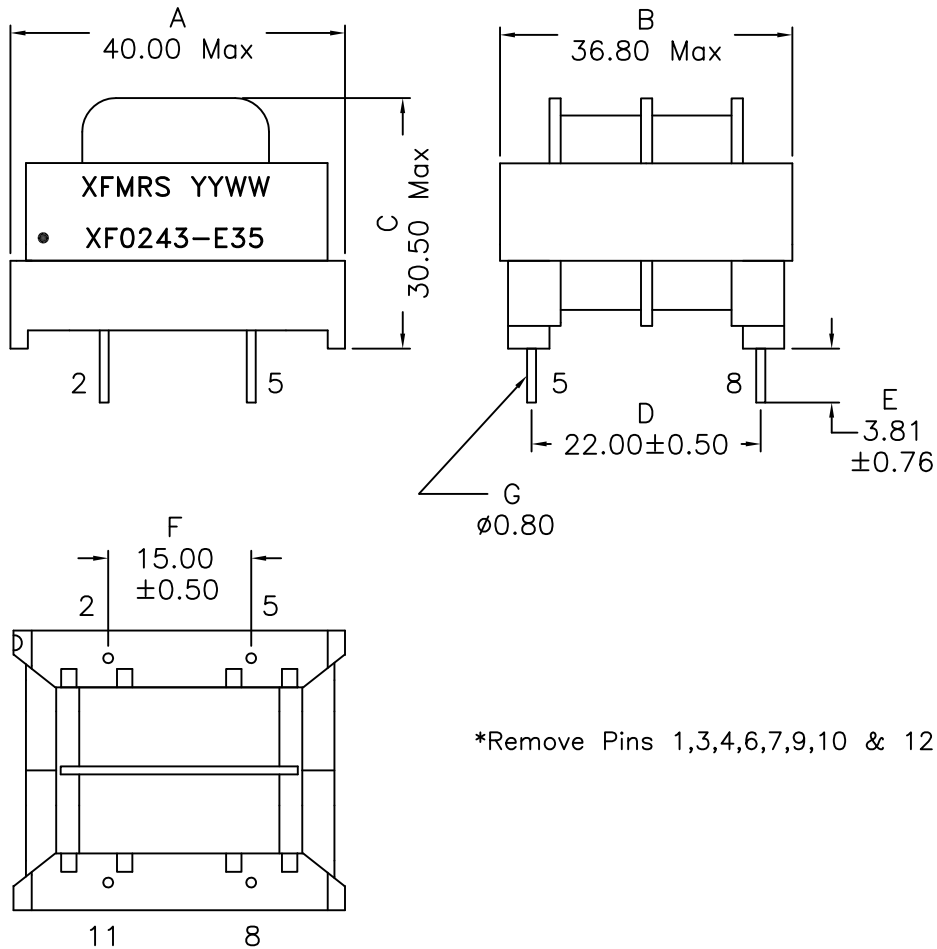


1. Mechanical Dimensions:



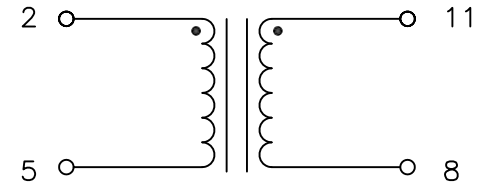
*Remove Pins 1,3,4,6,7,9,10 & 12

Notes:

- Solderability: Leads shall meet MIL-STD-202G, Method 208H for solderability.
- Flammability: UL94V-0
- ASTM oxygen index: > 28%
- Insulation System: Class F 155°C. UL file E151556
- All listed parameters are to be within tolerance from -40°C to +85°C unless otherwise noted.
- Storage Temperature Range: -55°C to +125°C
- Aqueous wash compatible
- Electrical and mechanical specifications 100% tested
- RoHS Compliant Component

DOC. REV: A/4

2. Schematic:



3. Electrical Specifications: @25°C

OCL: 24mH Min @20KHz 0.1V, Each Wdg 0°C to +85°C
 12mH Min @20KHz 0.1V, Each Wdg -40°C to 85°C
 Q: 80 Min @20KHz 0.1V, Each Wdg
 Rated Current: 1Aac
 SRF: 129KHz Min, Each Wdg
 DCR: 0.86 Ohms Max, Each Wdg
 Turns Ratio.: (2-5):(11-8)=1:1±2%
 HIPOT: 3750Vac, Wdg to Wdg

XFMRS Inc www.XFMRS.com		Title: Common Mode Choke	
UNLESS OTHERWISE SPECIFIED TOLERANCES: .xx ±0.25 Dimensions in MM	P/N: XF0243-E35		REV. A
	DWN.	Yuan	Jul-15-13
SHEET 1 OF 1	CHK.	YK Liao	Jul-15-13
	APP.	BSJ	Jul-15-13