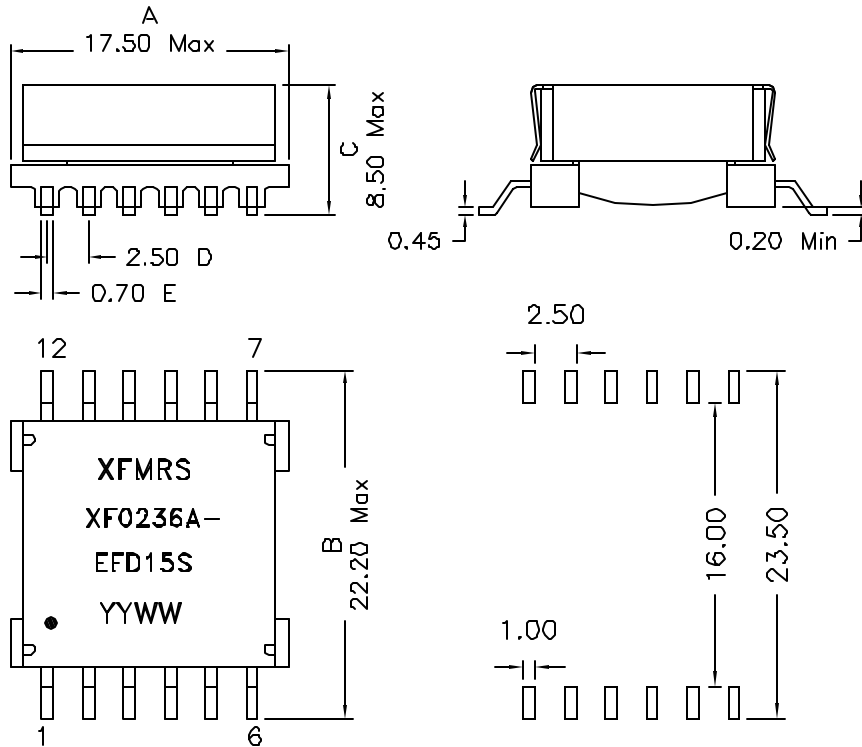
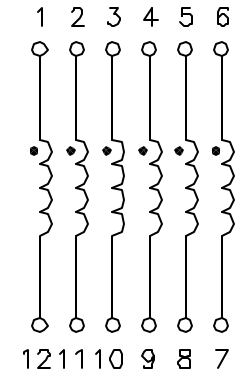


## 1. Mechanical Dimensions:



## 2. Schematic:



## 3. Electrical Specifications:

OCL: 23.0uH±10% @100KHz 0.1V, Each Wdg

Q: Pins 1-12 tbd Min @100KHz 0.1V

LL: Pins 1-12 0.241uH Typ @100KHz 0.1V (Short all else)

DC Res: 0.071 Ohms Max, Each Wdg

Isat: 2.65AdcMax, All Wdgs in Parallel (30% drop in L max)

Irms: 1.20A Max, Each Wdg

HIPOT: 500Vac, Wdg to Wdg, Wdgs to Core

### Notes:

- Solderability: Leads shall meet MIL-STD-202G, Method 208H for solderability.
- Flammability: UL94V-0
- ASTM oxygen index: > 28%
- Insulation System: Class F 155°C, UL file E151556
- Operating Temperature Range: All listed parameters are to be within tolerance from -40°C to +85°C
- Storage Temperature Range: -55°C to +125°C
- Aqueous wash compatible
- SMD Lead Coplanarity: ±0.004" (0.102mm)
- Electrical and mechanical specifications 100% tested
- RoHS Compliant Component

DOC. REV: A/1

<b>XFMR5 Inc</b> UNLESS OTHERWISE SPECIFIED		Title: TRANSFORMER	
UNLESS OTHERWISE SPECIFIED		P/N: XF0236A-EFD15S	REV A
TOLERANCES: .xx ±0.25 Dimensions in MM		DWN.	李小锋 Jun-08-06
Scale 2.5:1 SHT 1 OF 1		CHK.	廖玉坤 Jun-08-06
		APP.	BW Jun-08-06