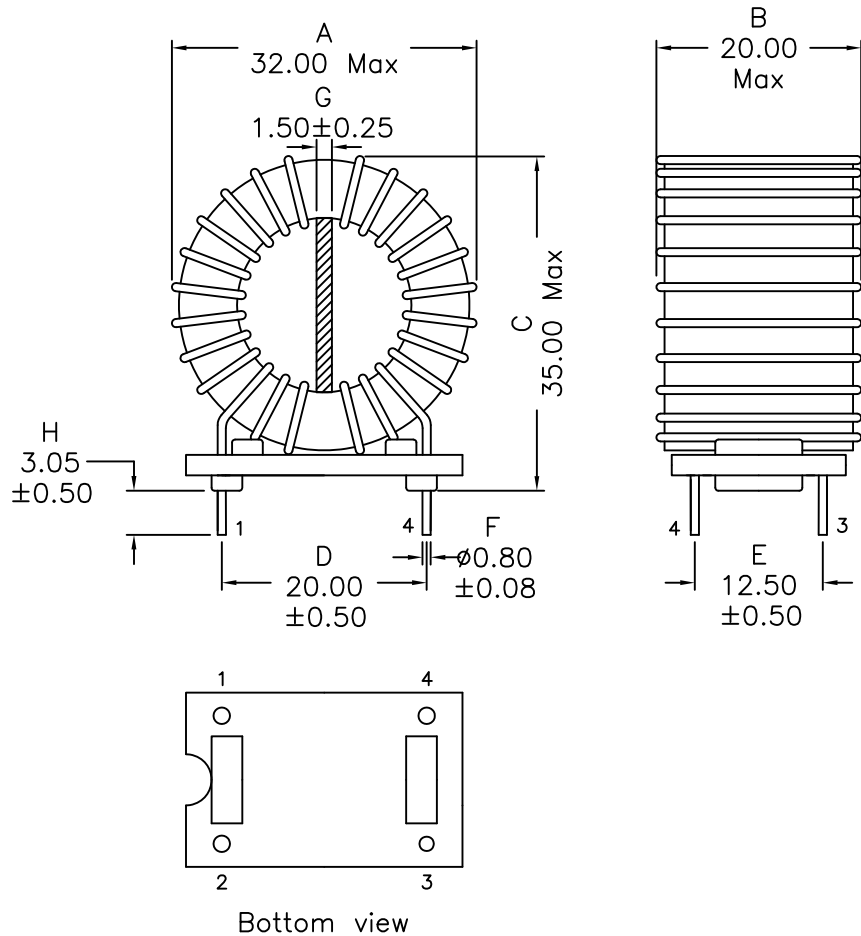
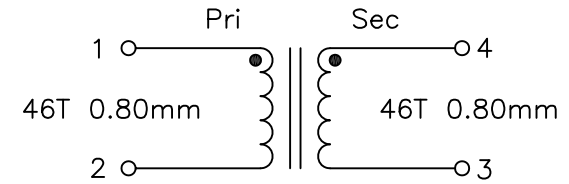


### 1. Mechanical Dimensions:



### 2. Schematic:



Toroid: ACME A07 T25\*15\*13C

### 3. Electrical Specifications: @25C

OCL: 20mH±30% @10KHz 1V, Each wdg

Q: Pins 1-2 15 Min @10KHz 1V

DCR: 0.12 Ohms Max Each wdg

Turns Ratio: Pins (1-2):(4-3) = 1:1±2%

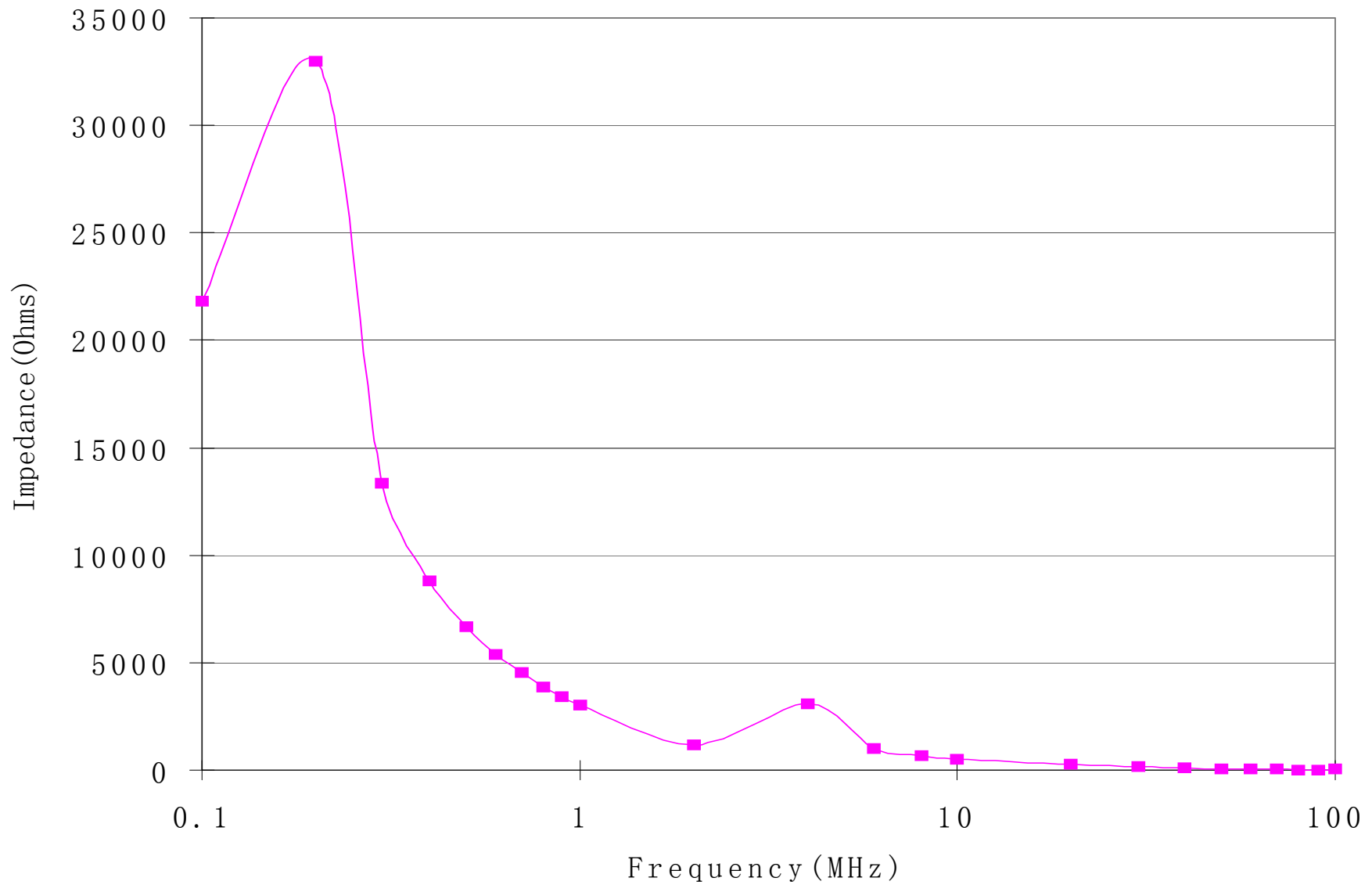
HI-POT: Pins 1+2 to 3+4 1000Vdc 5mA

**Notes:**

1. Solderability: Leads shall meet MIL-STD-202G, Method 208H for solderability.
2. Flammability: UL94V-0
3. ASTM oxygen index: > 28%
4. Insulation System: Class F 155°C. UL file E151556
5. Operating Temperature Range: All listed parameters are to be within tolerance from -40°C to +85°C
6. Storage Temperature Range: -55°C to +125°C
7. Aqueous wash compatible
8. Electrical and mechanical specifications 100% tested
9. RoHS Compliant Component

DOC. REV: A/3

<b>XFMRs Inc</b> www.XFMRS.com	Title: <b>Common Mode Inductor</b>		
	UNLESS OTHERWISE SPECIFIED TOLERANCES: .xx ±0.25 Dimensions in MM	P/N: XF0203M-VMCMC	REV. A
	DWN.	Yuan	Sep-11-12
	CHK.	YK Liao	Sep-11-12
SHEET 1 OF 2	APP.	Joe Huff	Sep-11-12



DOC. REV: A/3

<b>XFMRs Inc</b> www.XFMRS.com	Title: <b>Common Mode Inductor</b>		
	UNLESS OTHERWISE SPECIFIED TOLERANCES: .xx ±0.25 Dimensions in MM	P/N: XF0203M-VMCMC	REV. A
	DWN.	Yuan	Sep-11-12
	CHK.	YK Liao	Sep-11-12
SHEET 2 OF 2	APP.	Joe Huff	Sep-11-12

**PROPRIETARY** Document is the property of XFMRs Group & is not allowed to be duplicated without authorization.