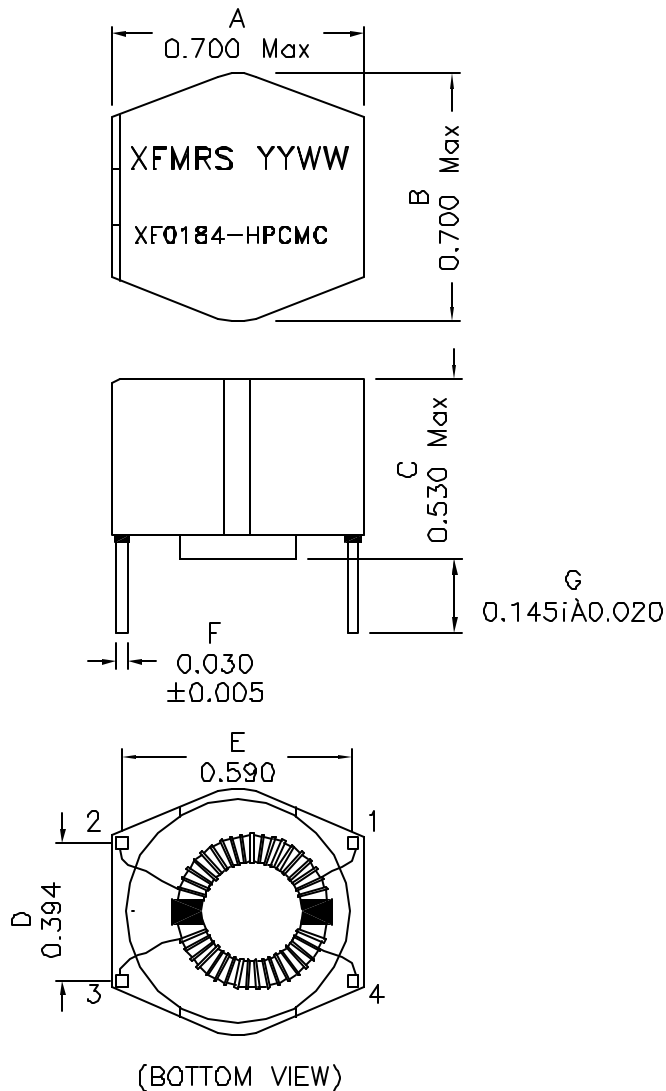
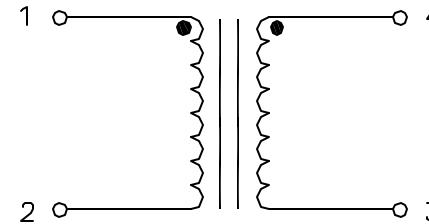


### 1. Mechanical Dimensions:



### 2. Schematic:



### 3. Electrical Specifications: @25°C

OCL: 1.8mH +50%/-30% @10KHz 0.1V Each Wdg.

DCR: 0.075 Ohms ±15%

Rated Current: 2.0 Adc

Isolation Voltage: 1500Vac, Wdg. to Wdg.

**Notes:**

1. Solderability: Leads shall meet MIL-STD-202G, Method 208H for solderability.
2. Flammability: UL94V-0
3. ASTM oxygen Index: > 28%
4. Insulation System: Class F 155°C. UL file E151556
5. Operating Temperature Range: All listed parameters are to be within tolerance from -40°C to +85°C
6. Storage Temperature Range: -55°C to +125°C
7. Aqueous wash compatible
8. Electrical and mechanical specifications 100% tested
9. RoHS Compliant Component

DOC. REV A/1

**PROPRIETARY** Document is the property of XFMRS Group & is not allowed to be duplicated without authorization.

|  |                   |                          |           |
|--|-------------------|--------------------------|-----------|
| <b>XFMRS Inc.</b><br>www.XFMRS.com   |                   | Title: Common Mode Choke |           |
| UNLESS OTHERWISE SPECIFIED<br>TOLERANCES:<br>.xxx ±0.020<br>Dimensions in INCH | P/N: XF0184-HPCMC |                          | REV. A    |
|  | DWN.              | 李小锋                      | Apr-30-08 |
|  | CHK.              | 廖玉坤                      | Apr-30-08 |
| SHEET 1 OF 1   | APP.              | BW                       | Apr-30-08 |