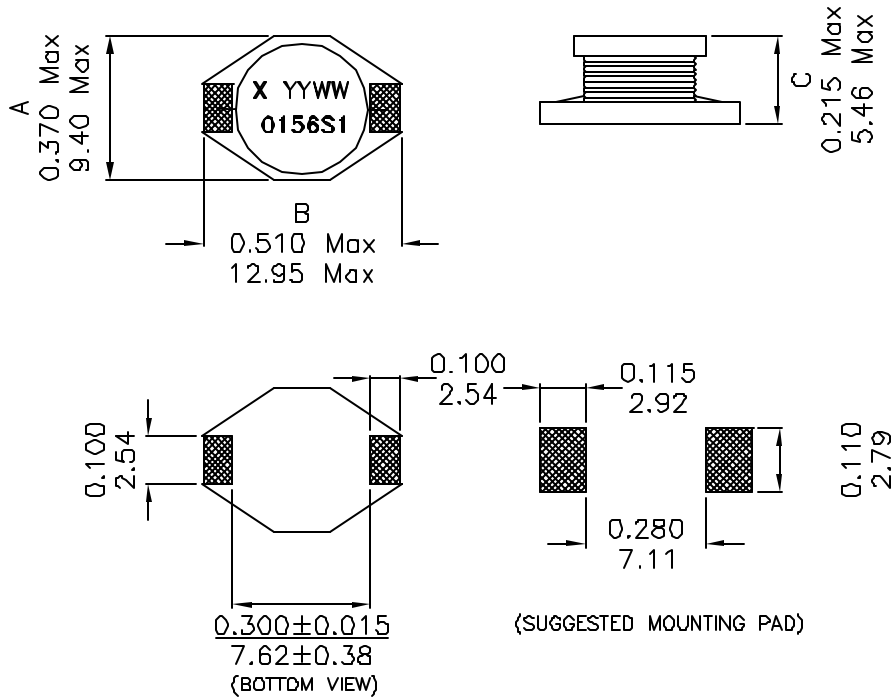
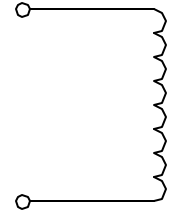


1. Mechanical Dimensions:



2. Schematic:



3. Electrical Specifications: @25°C

INDUCTANCE: 15.0uH ± 20% @100KHz 0.1V

DC RESISTANCE: 0.070 Ohms Max

Isat: 3.0Adc (Based on 10% Drop in OCL)

Irms: 3.1A (Based on 40°C Temp Rise)

SRF: 27MHz Typ

Notes:

1. Solderability: Leads shall meet MIL-STD-202G, Method 208H for solderability.
2. Flammability: UL94V-0
3. ASTM oxygen Index: > 28%
4. Insulation System: Class F 155°C. UL file E151555
5. Operating Temperature Range: All listed parameters are to be within tolerance from -40°C to +85°C
6. Storage Temperature Range: -55°C to +125°C
7. Aqueous wash compatible
8. SMD Lead Coplanarity: ±0.004" (0.102mm)
9. Moisture Sensitivity: Level 3
10. Electrical and mechanical specifications 100% tested
11. RoHS Compliant Component
12. 260°C Reflow Compatible

XFMRS Inc. www.XFMRS.com	Title: XFSDM1 SERIES INDUCTORS		
	UNLESS OTHERWISE SPECIFIED TOLERANCES: .xxx ±0.010 INCH Dimensions in INCH/MM		P/N: XF0156S1 REV. A
SHEET 1 OF 1	DWN.	刘 鹏	Feb-20-08
	CHK.	李小锋	Feb-20-08
	APP.	BW	Feb-20-08

DOC REV: A/4