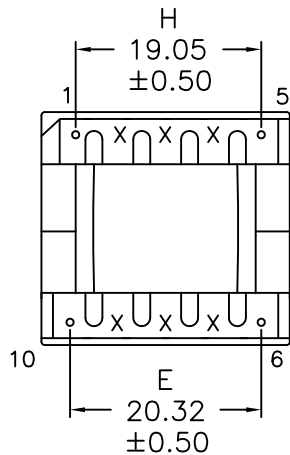
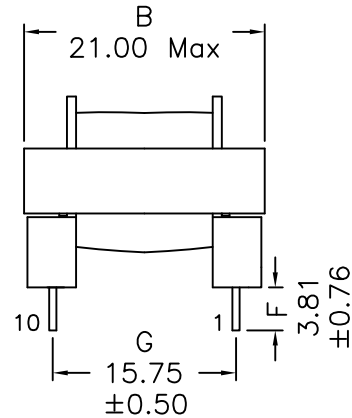
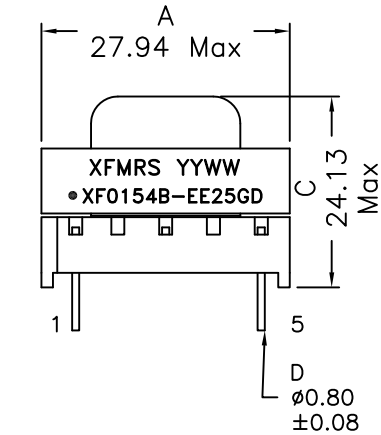


## 1. Mechanical Dimensions:

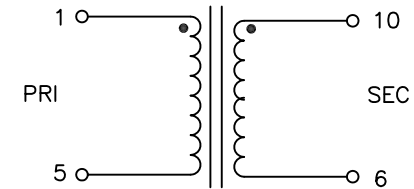


Bottom view

### Notes:

1. Solderability: Leads shall meet MIL-STD-202G, Method 208H for solderability.
2. Flammability: UL94V-0
3. ASTM oxygen index: > 28%
4. Insulation System: Class B 130°C. UL file E151556
5. Operating Temperature : from -40C to +85C
6. Storage Temperature Range: -55°C to +125°C
7. Aqueous wash compatible
8. Electrical and mechanical specifications 100% tested
9. RoHS Compliant Component
10. All unused pins are removed.

## 2. Schematic:



## 3. Electrical Specifications:

- OCL: Pins 1-5 1.5mH Min @15.75KHz 1V  
 Q: Pins 1-5 10 Min @15.75KHz 1V  
 LL: Pins 1-5 4uH Max @15.75KHz 1V Short P10-6  
 Cw/w: Pins 1-10 300pF Max @15.75KHz 1V  
 DCR: Pins 1-5 0.400 Ohms Max  
 DCR: Pins 10-6 0.750 Ohms Max  
 Turns Ratio: Pins (1-5):(10-6)=1:1±2%  
 Volt-Time Product: 375 V-uSec  
 HIPOT: 3750Vac, PRI to SEC ,@1mA  
 SRF: Pins 1-5 120KHz Min

DOC REV: A/3

<b>XFMS Inc</b> www.XFMS.com		Title: TRANSFORMER	
UNLESS OTHERWISE SPECIFIED TOLERANCES: .xx ±0.25	P/N: XF0154B-EE25GD		REV. A
	DWN.	Xiang	Dec-05-16
Dimensions in MM	CHK.	YK Liao	Dec-05-16
Scale 1.5:1 SHT 1 OF 1	APP.	Joe Huff	Dec-05-16