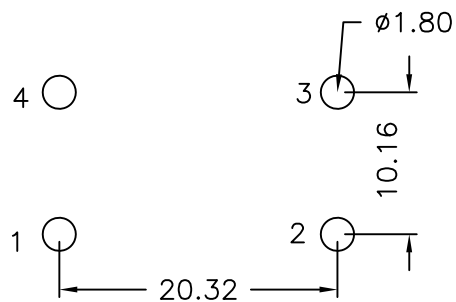
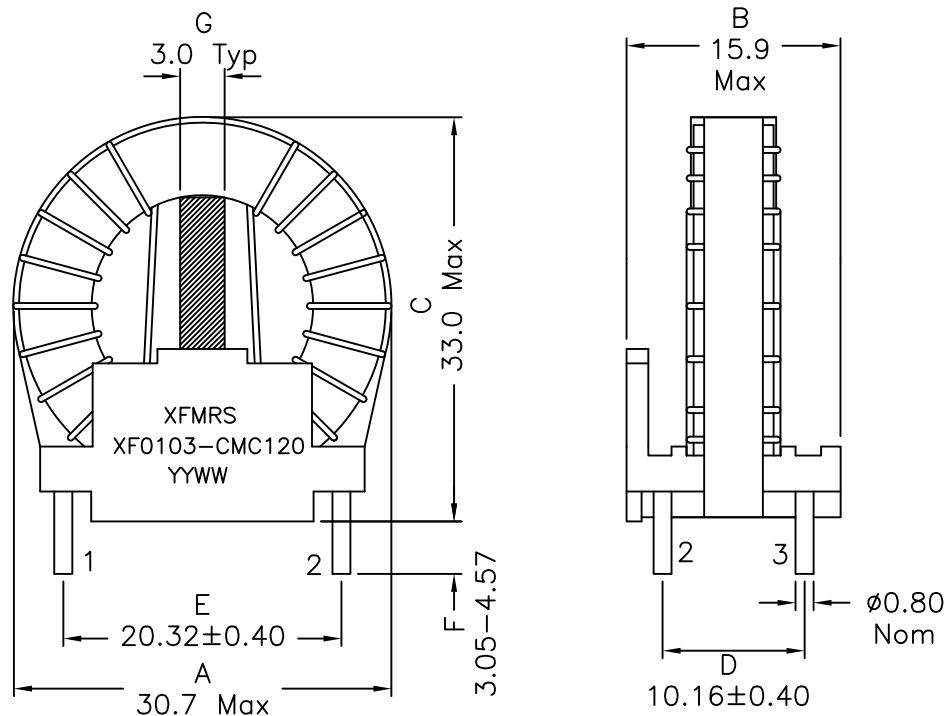
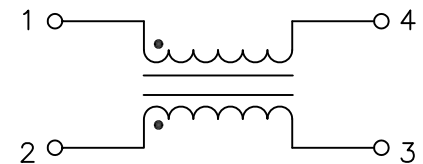


1. Mechanical Dimensions:



SUGGESTED FOOTPRINT

2. Schematic:



3. Electrical Specifications: @25°C

OCL: 7.0mH Min @1KHz, 0.1V Each Wdg

Q: 10 Min @ 1KHz 0.1V Each Wdg

Rated Current: 3.0A

LL: Pins 1-4, 65 uH Max @100KHz, 0.1V (Short Pins 2+3)

DCR: 0.041 Ohms Max Each Wdg

Turns Ratio.: (1-4):(2-3)=1:1±2%

Hipot: 2000Vac Wdg to Wdg

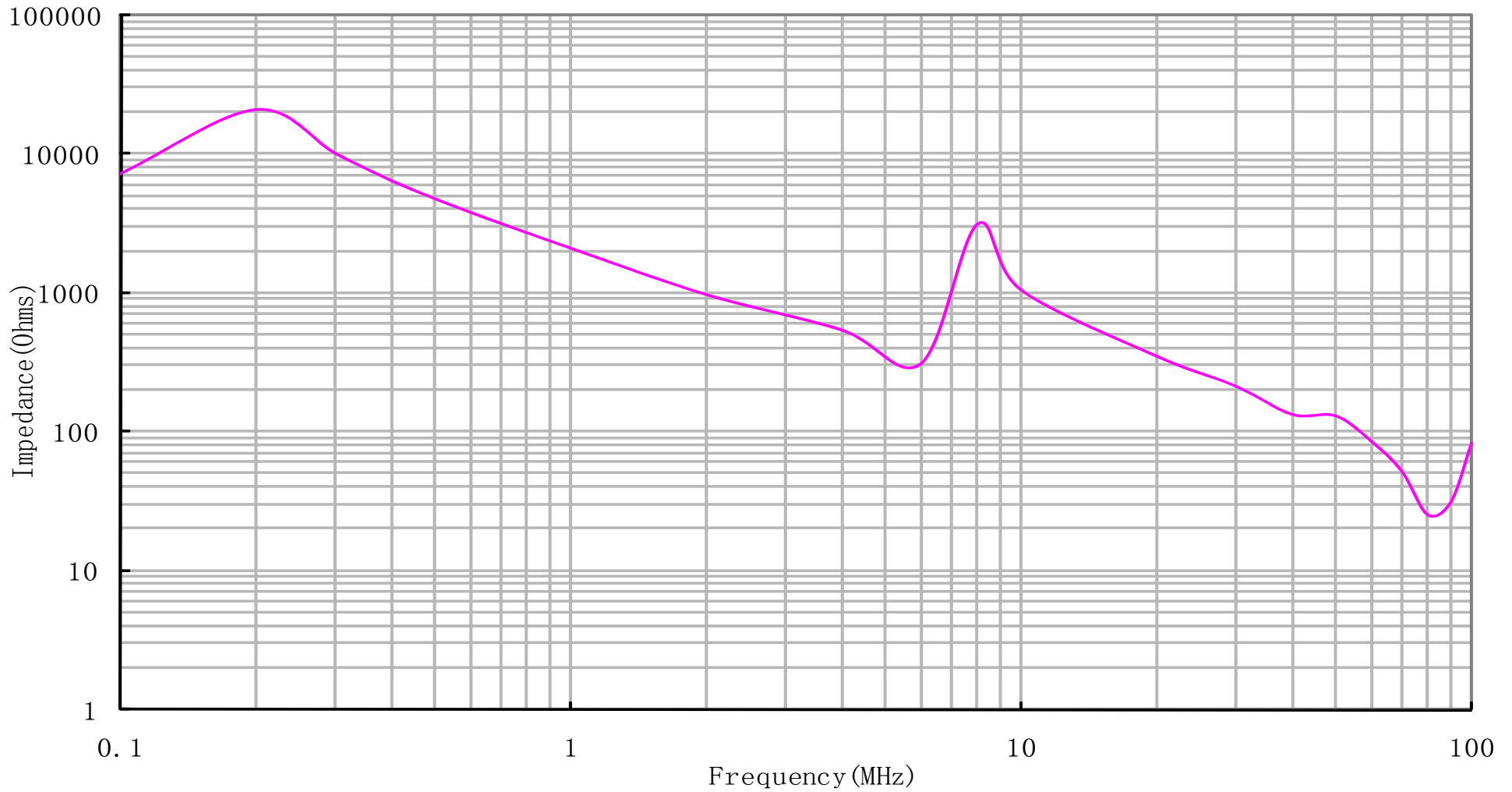
SRF: 80 KHz Min

Notes:

1. Solderability: Leads shall meet MIL-STD-202G, Method 208H for solderability.
2. Flammability: UL94V-0
3. ASTM oxygen index: > 28%
4. Insulation System: Class F 155°C. UL file E151556
5. Operating Temperature from -40°C to +85°C
6. Storage Temperature Range: -55°C to +125°C
7. Aqueous wash compatible
8. SMD Lead Coplanarity: ±0.004"(0.102mm)
9. Electrical and mechanical specifications 100% tested
10. RoHS Compliant Component

Doc Rev: A/2

XFMRS Inc www.XFMRS.com		Title: Common Mode Choke	
UNLESS OTHERWISE SPECIFIED TOLERANCES: .xx ±0.25 Dimensions in mm	P/N: XF0103-CMC120		REV. A
	DWN.	Huo	Mar-28-17
SHEET 1 OF 2	CHK.	YK Liao	Mar-28-17
	APP.	BW	Mar-28-17



Doc Rev: A/2

XFMRs Inc www.XFMRS.com	Title: Common Mode Choke		
	UNLESS OTHERWISE SPECIFIED		P/N: XF0103-CMC120
TOLERANCES:			REV. A
.xx ±0.25	DWN.	Huo	Mar-28-17
Dimensions in mm	CHK.	YK Liao	Mar-28-17
SHEET 2 OF 2	APP.	BW	Mar-28-17

PROPRIETARY

Document is the property of XFMRs Group & is not allowed to be duplicated without authorization.