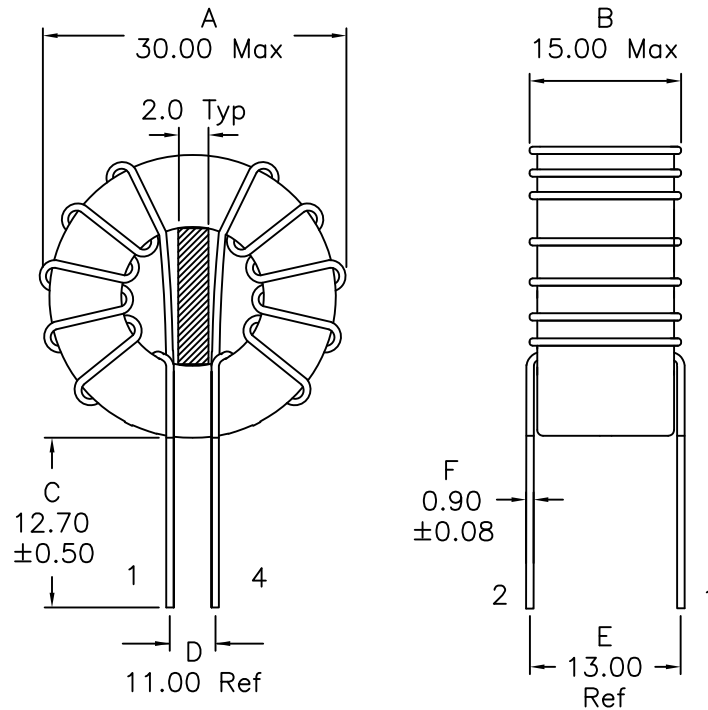


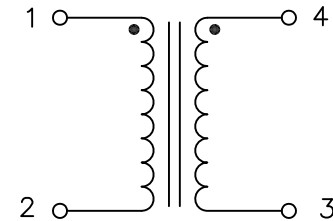
## 1. Mechanical Dimensions:



### Notes:

1. Solderability: Leads shall meet MIL-STD-202G, Method 208H for solderability.
2. Flammability: UL94V-0
3. ASTM oxygen index: > 28%
4. Insulation System: Class F 155°C. UL file E151556
5. All listed parameters are to be within tolerance from -40°C to +85°C unless otherwise noted.
6. Storage Temperature Range: -55°C to +125°C
7. Aqueous wash compatible
8. Electrical and mechanical specifications 100% tested
9. RoHS Compliant Component

## 2. Schematic:



## 3. Electrical Specifications: @25°C

OCL: 9.0mH Min @1.0KHz, 1.0V Each Wdg

Q: TBD Min @10KHz, 0.1V Each Wdg

DCR: 50mOhms Max, Each Wdg

Rated Current: 5Arms

Turns Ratio.: (1-2):(4-3)=1:1±2%

SRF: TBD KHz Min Each Wdg

Isolation Voltage: 1500Vrms

DOC. REV: A/-

<b>XFMRs Inc</b> www.XFMRS.com	Title: Common Mode Choke		
	UNLESS OTHERWISE SPECIFIED	P/N: XF0093-VOCMC	REV. A
TOLERANCES: .xx ±0.25	DWN.	Yuan	Aug-09-16
Dimensions in MM	CHK.	YK Liao	Aug-09-16
SHEET 1 OF 1	APP.	Joe Huff	Aug-09-16