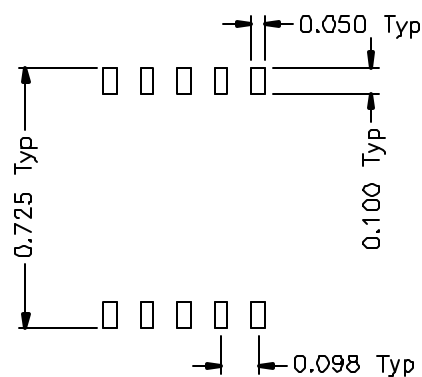
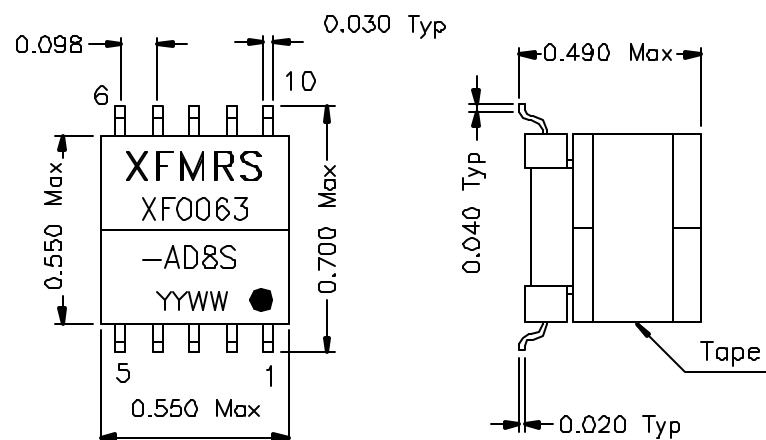
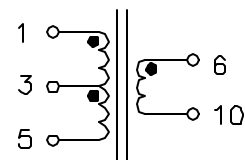


1. Dimensions:



Suggested PCB Layout

2.Schematic:



3.Electrical Specifications: @25°C

Turns Ratio: (P1-5):(P6-10) = 1:1±1%

PIN1-5 OCL: 6.5mH±10% @10KHz 0.1V 0/160mAdc

PIN1-5 LL: 45.0uH Max @100KHz 0.1V
(Short 6-10) Ls

DC Res.: P1-5 5.90±8% Ohms

P6-10 5.90±8% Ohms

Longitudinal Balance: 65dB Min @30KHz, Gnd 6+10
45dB Min @1.1MHz, Gnd 6+10

HIPOT: 1000VAC Wdg. to Wdg.

Notes:

- Solderability: Leads shall meet MIL-STD-202, Method 208D for solderability
- Flammability: UL94V-0
- ASTM oxygen index: > 28%
- Insulation System: Class F 155°C, UL file E151556
- Operating Temperature Range: All listed parameters are to be within tolerance from -40°C to +85°C
- Storage Temperature Range: -55°C to +125°C
- Aqueous wash compatible
- Designed to meet UL1950 requirements for Supplementary Insulation with 250 working volts

DOC. REV A/1

XFMRS Inc	Title: TRANSFORMER		
	UNLESS OTHERWISE SPECIFIED	P/N: XF0063-AD8S	REV. A
TOLERANCES: .xxx ±0.010	DWN.	廖玉坤	Feb-29-00
Dimensions in INCH	CHK.	李清儿	Feb-29-00
SHEET 1 OF 1	APP.	BW	Feb-29-00