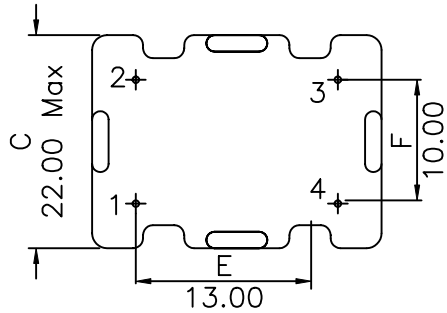
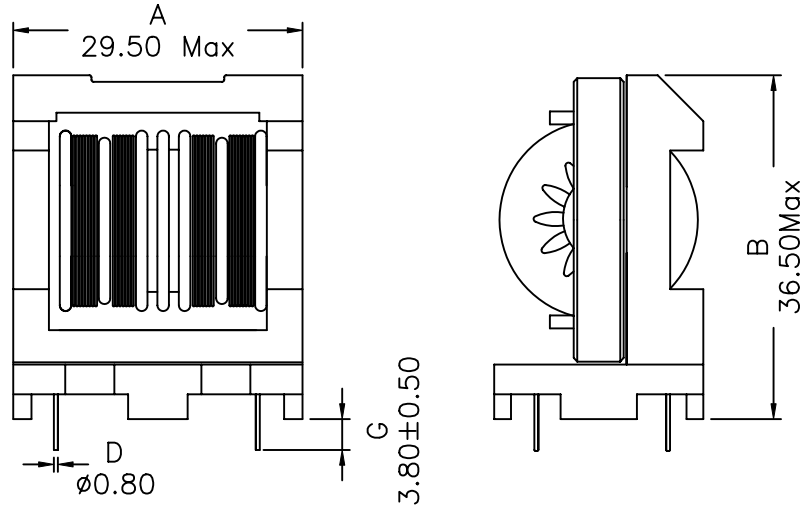
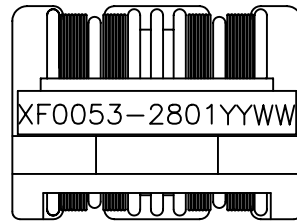


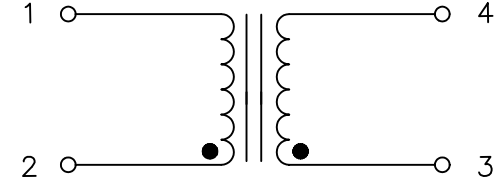
1. Mechanical Dimensions:



(BOTTOM VIEW)



2. Schematic:



3. Electrical Specifications:

OCL: 5mH Min @1.0KHz 0.1V, Each Wdg

DCR: 0.100 Ohms Max, Each Wdg

Irms: 3.0Arms Max

Hipot: 2500Vac, Wdg to Wdg

Turns Ratio: (2-1):(3-4) = 1.0 : 1.0

Notes:

1. Solderability: Leads shall meet MIL-STD-202, Method 208D for solderability.
2. Flammability: UL94V-0
3. ASTM oxygen index: > 28%
4. Insulation System: Class F 155°C. UL file E151556
5. Operating Temperature Range: All listed parameters are to be within tolerance from -40°C to +85°C
6. Storage Temperature Range: -55°C to +125°C
7. Aqueous wash compatible
8. SMD Lead Coplanarity: $\pm 0.004"$ (0.102mm)
9. Moisture Sensitivity: Level 3
10. Electrical and mechanical specifications 100% tested
11. RoHS Compliant Component

DOC REV: A/2

XFMRs Inc www.XFMRs.com	Title: LINE FILTER		
	UNLESS OTHERWISE SPECIFIED TOLERANCES: .xx ± 0.30 Dimensions in mm	P/N: XF0053-2801	REV. A
SHEET 1 OF 1	APP. MS	Apr-01-05	Apr-01-05