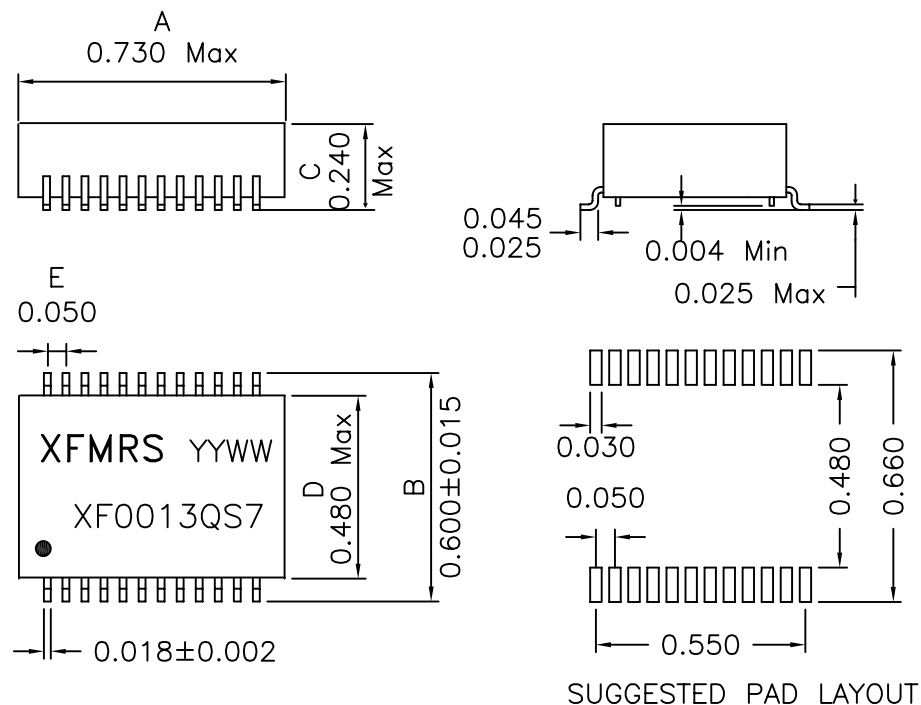
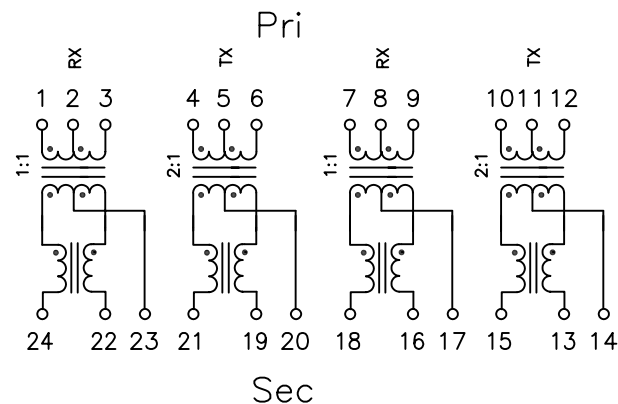


1. Mechanical Dimensions:



2. Schematic:



3. Electrical Specifications: @25°C

Isolation: 1500 Vrms (PRI to SEC)

TX Turns Ratio: 1CT:2CT±2% (PRI:SEC)

RCV Turns Ratio: 1CT:1CT±2% (PRI:SEC)

PRI OCL: 1.50mH Typical @100KHz 50mV

Cw/w: 35pF Maximum @100KHz 50mV (PRI/SEC)

PRI LL: 0.5uH Maximum @100KHz 50mV
(SEC Shorted)

Pri DCR: 0.80 Ohms Max

Crosstalk: -60dB Typ (0.1 to 5MHz)

Notes:

- Solderability: Leads shall meet MIL-STD-202G, Method 208H for solderability.
- Flammability: UL94V-0
- ASTM oxygen index: > 28%
- Insulation System: Class F 155°C. UL file E151556
- Operating Temperature Range: All listed parameters are to be within tolerance from -40°C to +85°C
- Storage Temperature Range: -55°C to +125°C
- Aqueous wash compatible
- SMD Lead Coplanarity: ±0.004"(0.102mm)
- Electrical and mechanical specifications 100% tested
- RoHS Compliant Component

DOC REV: A/1

XFMRs Inc www.XFMRs.com	Title: Dual Transformer		
	UNLESS OTHERWISE SPECIFIED TOLERANCES: .xxx ±0.010 Dimensions in INCH	P/N: XF0013QS7	REV. A
SHEET 1 OF 1	DWN.	Xianyi	Apr-28-11
	CHK.	YK Liao	Apr-28-11
	APP.	BW	Apr-28-11