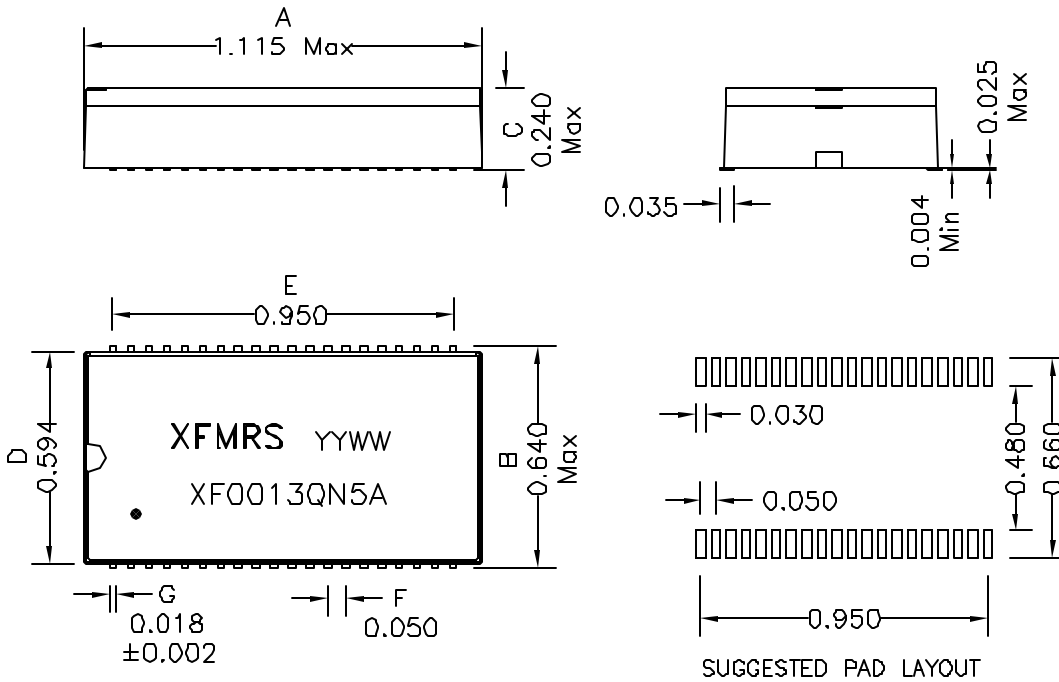
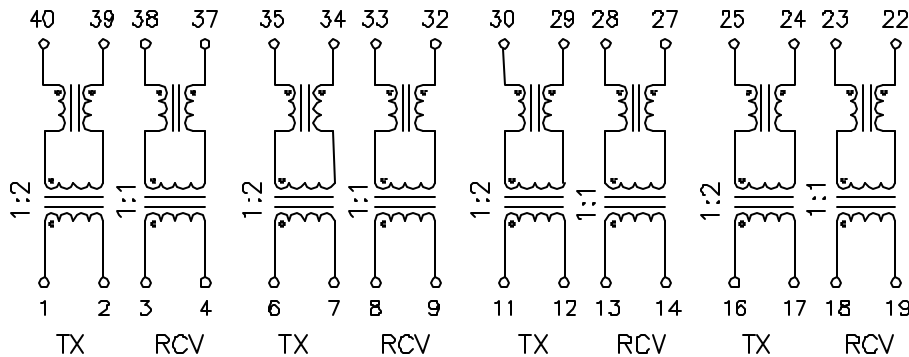


### 1. Mechanical Dimensions:



### 2. Schematic:



DOC. REV: B/1

### 3. Electrical Specifications: @25°C

Isolation: 1500Vrms, PRI to SEC

TX Turns Ratio: 1:2 (PRI:SEC)

RCV Turns Ratio: 1:1 (PRI:SEC)

PRI OCL: 1.50mH Typical @100KHz 50mV

Cw/w: 35pF Max @100KHz 50mV (PRI/SEC)

PRI LL: 0.5uH Max @100KHz 50mV, Short SEC

Pri DCR: 0.80 Ohms Max

Crosstalk: -60dB Typ (0.5 to 5MHz)

CHOKE OCL: 30uH Typ @100KHz 50mV

Q: 5 Min @10KHz 50mV

#### Notes:

- Solderability: Leads shall meet MIL-STD-202G, Method 208H for solderability.
- Flammability: UL94V-0
- ASTM oxygen index: > 28%
- Insulation System: Class F 155°C, UL file E151566
- Operating Temperature Range: All listed parameters are to be within tolerance from -40°C to +85°C
- Storage Temperature Range: -55°C to +125°C
- Aqueous wash compatible
- SMD Lead Coplanarity: ±0.004"(0.102mm)
- Electrical and mechanical specifications 100% tested
- RoHS Compliant Component
- Designed to meet EN60950 for Functional Insulation requirements.

<b>XFMR5 Inc</b> www.XFMR5.com		Title: T1/E1/CEPT QUAD PORT	
UNLESS OTHERWISE SPECIFIED		P/N: XF0013QN5A	REV. B
TOLERANCES: .xxx ±0.010		DWN.	Feng Aug-16-11
Dimensions in INCH		CHK.	YK Liao Aug-16-11
SHT 1 OF 1		APP.	Joe Huff Aug-16-11