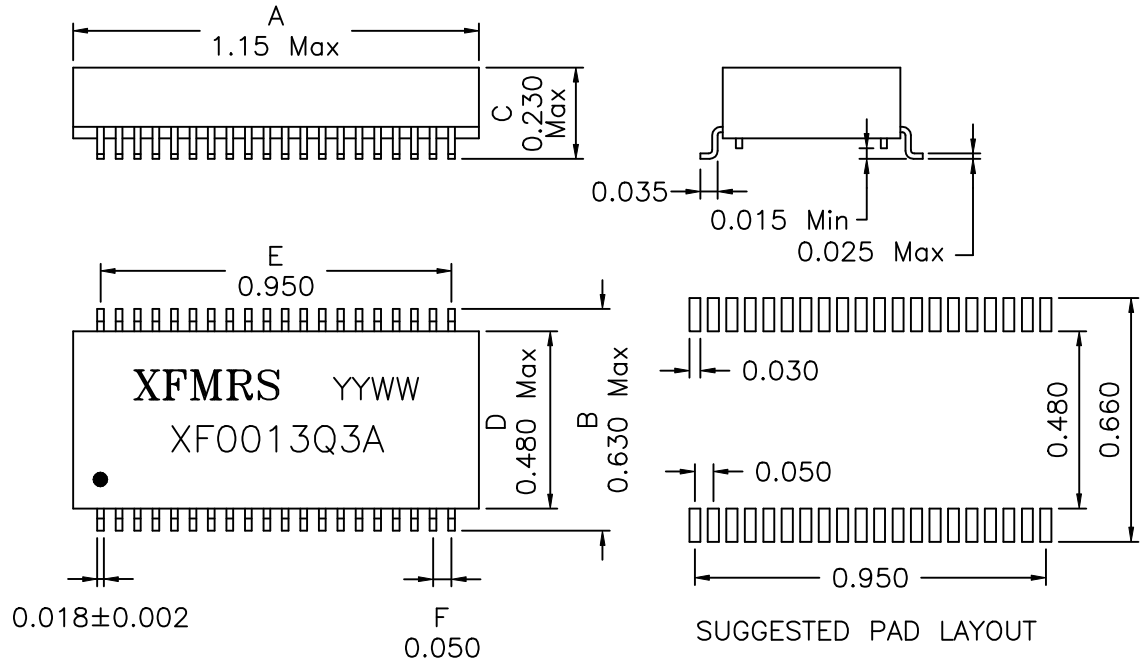
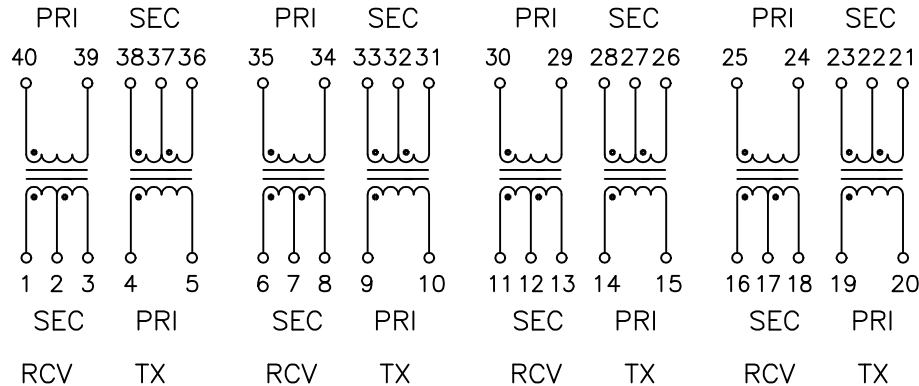


1. Dimensions:



2. Schematic:



DOC. REV A/4

3. Electrical Specifications: @25°C

Isolation: 1500 Vrms (PRI to SEC)

TX Turns Ratio: 1:2CT ±2% (PRI:SEC)

RCV Turns Ratio: 1:2CT ±2% (PRI:SEC)

TX PRI OCL: 1.20mH Minimum @100KHz 50mV

RCV PRI OCL: 1.20mH Minimum @100KHz 50mV

Cw/w: 35pF Maximum @100KHz 50mV (PRI/SEC)

TX PRI LL: 0.6uH Maximum @100KHz 50mV

(SEC Shorted)

RCV PRI LL: 0.6uH Maximum @100KHz 50mV

(SEC Shorted)

CROSSTALK: 65 dB Typ

Notes:

1. Solderability: Leads shall meet MIL-STD-202, Method 208D for solderability.
2. Flammability: UL94V-0
3. ASTM oxygen index: > 28%
4. Temperature rating: 155°C. UL file E151556
5. Operating Temperature Range: -40°C to +85°C
6. Designed to meet UL1950

XFMRS Inc	Title: T1/E1/CEPT QUAD PORT		
	UNLESS OTHERWISE SPECIFIED		P/N: XF0013Q3A
	TOLERANCES:		REV. A
	.xxx ±0.010		
Dimensions in INCH	DWN.	李小锋	Sep-05-01
	CHK.	廖玉坤	Sep-05-01
SHEET 1 OF 1	APP.	Isaiah M	Sep-05-01