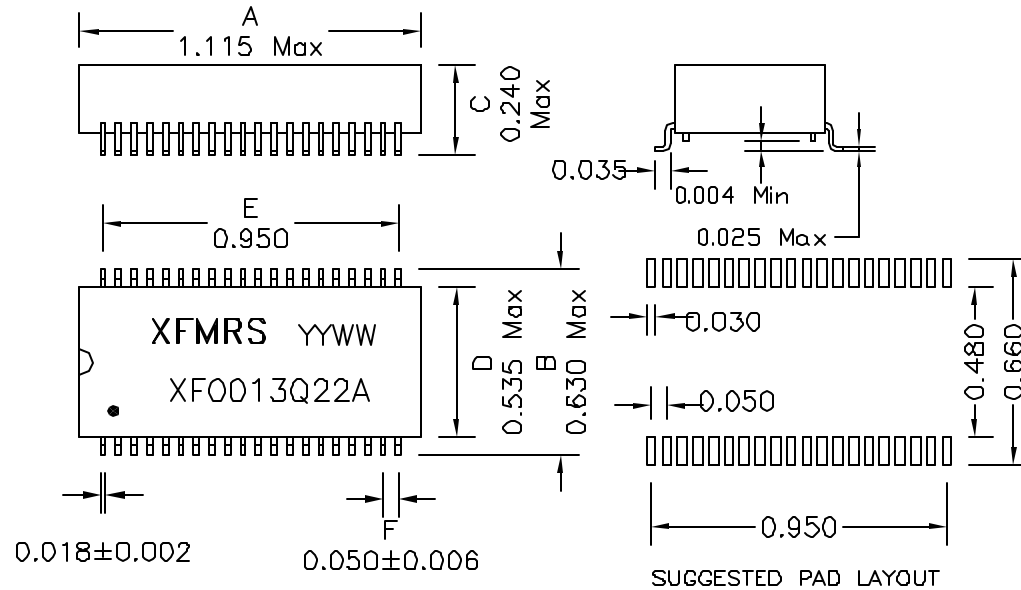
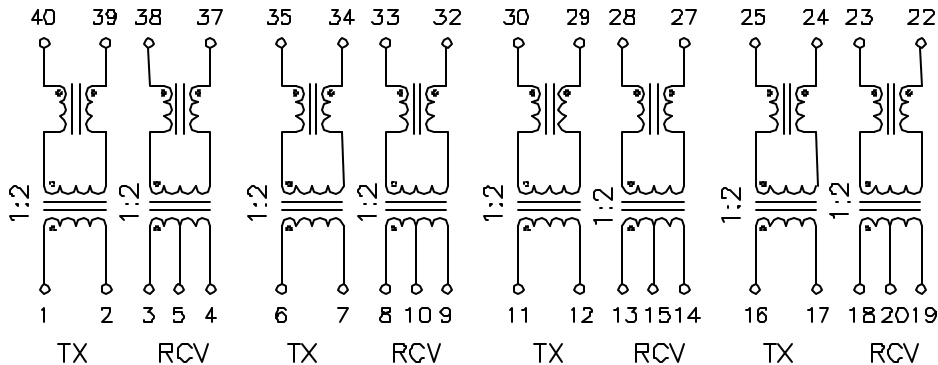


1. Mechanical Dimensions:



2. Schematic:



DOC REV: A/2

3. Electrical Specifications: @25°C

- ISOLATION: 1500Vrms, PRI to SEC
- URNS RATIO (TX): (PRI:SEC)=1:2
- URNS RATIO (RCV): (PRI:SEC)=1CT:2
- PRI OCL: 1.50mH Typ @100KHz 50mV
- CW/W: 35pF Max @100KHz 50mV (PRI/SEC)
- PRI LL: 0.5uH Max @100KHz 50mV, Short SEC
- PRI DCR: 0.800 Ohms Max
- CROSSTALK: -60dB Typ @0.5MHz to 5MHz
- CHOKE OCL: 30uH Typ @100KHz 50mV
- CMRR: -60dB Typ @300KHz
- CMRR: -30dB Typ @100MHz

Notes:

- Solderability: Leads shall meet MIL-STD-202, Method 208D for solderability.
- Flammability: UL94V-0
- ASTM oxygen Index: > 28%
- Insulation System: Class F 155°C. UL file E151556
- Operating Temperature Range: All listed parameters are to be within tolerance from -40°C to +85°C
- Storage Temperature Range: -55°C to +125°C
- Aqueous wash compatible
- SMD Lead Coplanarity: ±0.004"(0.102mm)
- Moisture Sensitivity: Level 3
- Electrical and mechanical specifications 100% tested
- RoHS Compliant Component

XFMR5 Inc www.XFMR5.com	Title: T1/E1/CEPT QUAD PORT		
	UNLESS OTHERWISE SPECIFIED TOLERANCES:		
.xxx ±0.010	P/N: XF0013Q22A	REV. A	
Dimensions in INCH	DWN.	Juan Mao	Sep-01-05
	CHK.	YK Liao	Sep-01-05
SHEET 1 OF 1	APP.	BW	Sep-01-05