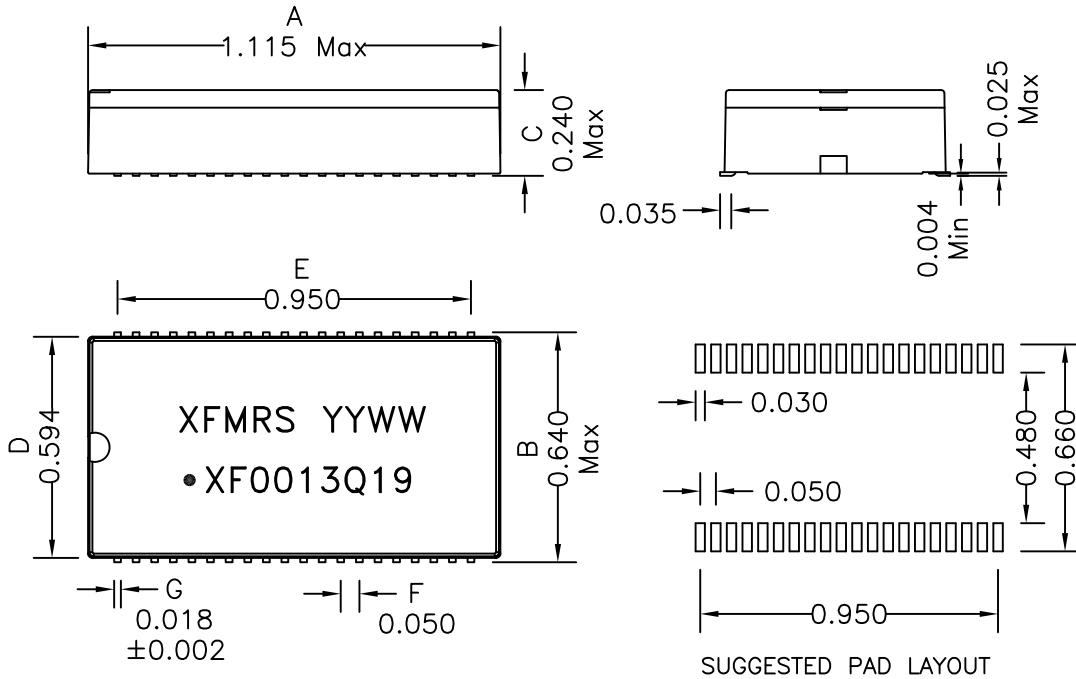


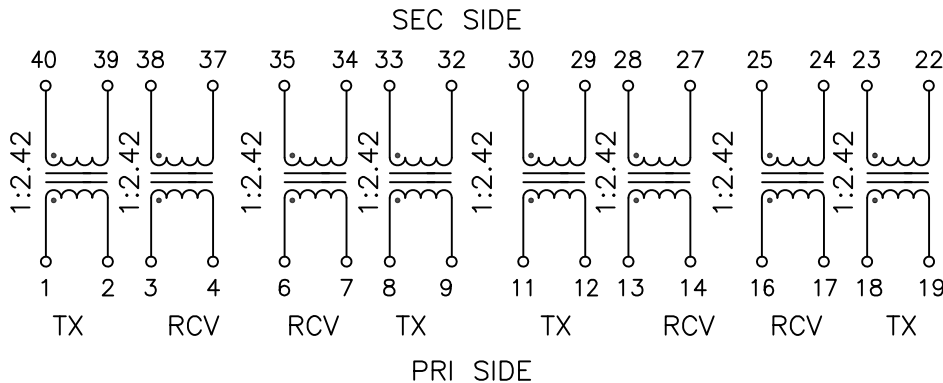
1. Mechanical Dimensions:



3. Electrical Specifications: @25°C

- Isolation: 1500Vrms (PRI to SEC)
- TX Turns Ratio: 1:2.42 (PRI:SEC)
- RCV Turns Ratio: 1:2.42 (PRI:SEC)
- PRI OCL: 1.50mH Typical @100KHz 50mV
- Cw/w: 35pF Maximum @100KHz 50mV (PRI/SEC)
- PRI LL: 0.5uH Maximum @100KHz 50mV (SEC Shorted)
- PRI DCR: 0.80 Ohms Max.
- Crosstalk: -60dB Min (0.1-5MHz)
- Q: 5 Min @10KHz 50mV

2. Schematic:



Notes:

- Solderability: Leads shall meet MIL-STD-202G, Method 208H for solderability.
- Flammability: UL94V-0
- ASTM oxygen index: > 28%
- Insulation System: Class F 155°C. UL file E151556
- Operating Temperature Range: All listed parameters are to be within tolerance from -40°C to +85°C
- Storage Temperature Range: -55°C to +125°C
- Aqueous wash compatible
- SMD Lead Coplanarity: ±0.004*(0.102mm)
- Electrical and mechanical specifications 100% tested
- RoHS Compliant Component

XFMRs Inc www.XFMRs.com	Title: T1/E1/CEPT QUAD PORT		
	UNLESS OTHERWISE SPECIFIED TOLERANCES: .xxx ±0.010		P/N: XF0013Q19
Dimensions in INCH	DWN.	Feng	Jul-11-12
SHEET 1 OF 1	CHK.	YK Liao	Jul-11-12
	APP.	BSJ	Jul-11-12

DOC. REV: B/1