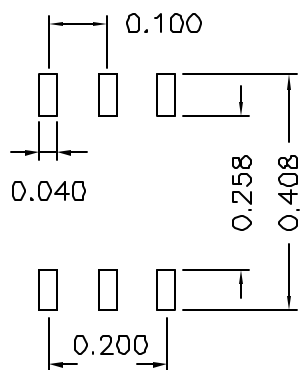
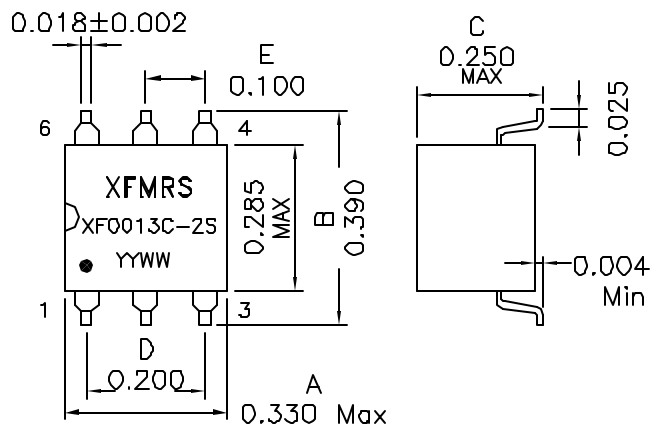


1. Mechanical Dimensions:



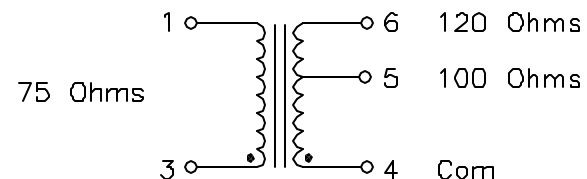
SUGGESTED PCB LAYOUT

Notes:

1. Solderability: Leads shall meet MIL-STD-202G, Method 208H for solderability.
2. Flammability: UL94V-0
3. ASTM oxygen index: > 28%
4. Insulation System: Class F 155°C, UL file E151558
5. Operating Temperature Range: All listed parameters are to be within tolerance from -40°C to +85°C
6. Storage Temperature Range: -55°C to +125°C
7. Aqueous wash compatible
8. SMD Lead Coplanarity: $\pm 0.004"$ (0.102mm)
9. Electrical and mechanical specifications 100% tested
10. RoHS Compliant Component

DOC. REV: A/3

2. Schematic:



3. Electrical Specifications:

OCL: Pins 1-3 1.0mH Typ @100KHz 0.1V

LL: Pins 1-3 0.5uH Max @100KHz 0.1V, Short 4-5-6

ET Constant: 14VuS Min

DCR: Pins 4-6 0.80 Ohms Max

Turns Ratio($\pm 3\%$): (3-1):(4-5)=1.00:1.15
 (3-1):(4-6)=1.00:1.22

Isolation: 1500Vac, Wdg to Wdg

PROPRIETARY Document is the property of XFMRS Group & is not allowed to be duplicated without authorization.

XFMRS Inc www.XFMRS.com	Title: TRANSFORMERS		
UNLESS OTHERWISE SPECIFIED TOLERANCES: .xxx ± 0.010 Dimensions in INCH	P/N: XF0013C-2S	REV. A	
	DWN.	Juan Mao	Mar-26-08
SHEET 1 OF 1	CHK.	YK Liao	Mar-26-08
	APP.	BW	Mar-26-08